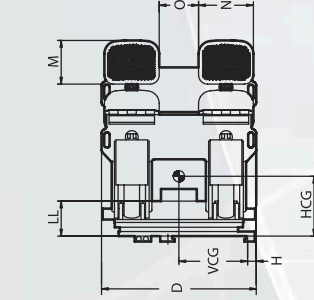
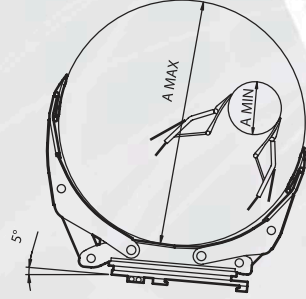


# Paper Roll Clamps

## Models AR-22



- Rotating paper roll clamp for safe and effective vertical and horizontal roll handling.
- Slim and smooth arm and frame design, optimal visibility and advanced hydraulic operation.
- Pivoting arm movement. Short and long arms. Non-split long arm for single roll handling. Split arm for 1 - 2 roll handling.
- 180-degree rotation. Hydraulic cushioning in the vertical end positions.
- All hydraulic functions protected with built-in pressure relief valves and check valves. All service and maintenance points easily available.

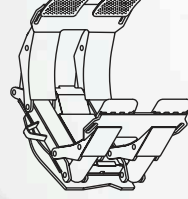
Model	Capacity	Load Centre	Roll Range	Height	Weight	Horizontal Centre of Gravity	Vertical Centre of Gravity	Effective Thickness	Contact Pads	Contact Pad Gap	Mounting Height	Mounting Class
	Q	BP	A	D	W	HCG	VCG	LL	M x N	O	H	ISO
	kg	mm	mm	mm	kg	mm	mm	mm	mm	mm	mm	2328
<b>Single roll clamps - Unsplit long arm</b>												
AR-22RH-12F	2350	600	600-1200	830	600	228	360	180	220x300	200	60	2A/3A
AR-22RH-12	2350	600	250-1200	830	605	228	360	180	220x300	200	60	2A/3A
AR-22RH-13F	2200	650	600-1300	830	610	247	360	180	220x300	200	60	2A/3A
AR-22RH-13	2200	650	250-1300	830	615	247	360	180	220x300	200	60	2A/3A
AR-22RH-14F	2000	700	600-1400	830	620	266	360	180	220x300	200	60	2A/3A
AR-22RH-14	2000	700	250-1400	830	625	266	360	180	220x300	200	60	2A/3A
AR-22RH-15F	1900	760	700-1520	830	630	287	360	180	220x300	200	60	2A/3A
AR-22RH-15	1900	760	250-1520	830	635	287	360	180	220x300	200	60	2A/3A
AR-22RH-16F	1750	800	700-1600	830	640	308	360	180	220x300	200	60	2A/3A
AR-22RH-16	1750	800	250-1600	830	645	308	360	180	220x300	200	60	2A/3A
<b>1 - 2 roll clamps - Split long arm</b>												
AR-22RJ-12F	2350	600	600-1200	830	590	209	360	180	220x300	200	60	2A/3A
AR-22RJ-12	2350	600	250-1200	830	595	209	360	180	220x300	200	60	2A/3A
AR-22RJ-13F	2200	650	600-1300	830	600	227	360	180	220x300	200	60	2A/3A
AR-22RJ-13	2200	650	250-1300	830	605	227	360	180	220x300	200	60	2A/3A
AR-22RJ-14F	2000	700	600-1400	830	610	247	360	180	220x300	200	60	2A/3A
AR-22RJ-14	2000	700	250-1400	830	615	247	360	180	220x300	200	60	2A/3A
AR-22RJ-15F	1900	760	700-1520	830	620	267	360	180	220x300	200	60	2A/3A
AR-22RJ-15	1900	760	250-1520	830	625	267	360	180	220x300	200	60	2A/3A
AR-22RJ-16F	1750	800	700-1600	830	630	288	360	180	220x300	200	60	2A/3A
AR-22RJ-16	1750	800	250-1600	830	635	288	360	180	220x300	200	60	2A/3A

### Note:

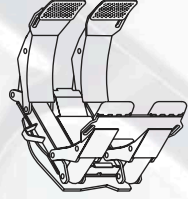
Models AR-22RHF/RJF with fixed (non-moving) short arm  
 Models AR-22RH/RJ with hydraulically positionable short arm  
 Two hydraulic functions are required. See hydraulic specifications page for pressure and flow rate recommendations. Special roll ranges on request.  
 Standard contact pads: cast pad with high-friction surface. Standard contact pad options: Rubber-faced, steel-sprayed or polyurethane faced.  
 Full length contact pads are available on request. Consult Bolzoni Auramo

### Note:

Minimum 5-degree forward tilt on lift mast is required for horizontal handling. For 0-degree tilt, special arms are available. Consult Bolzoni Auramo.

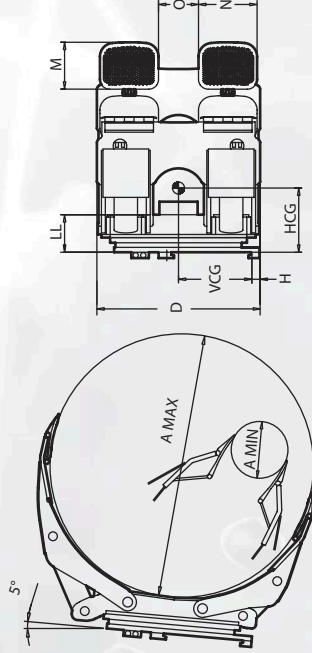


Unsplit long arm



Split long arm

- Rotating paper roll clamp for safe and effective vertical and horizontal roll handling.
- Slim and smooth arm and frame design, optimal visibility and advanced hydraulic operation.
- Pivoting arm movement. Short and long arms. Non-split long arm for single roll handling. Split arm for 1 - 2 roll handling, 180-degree rotation. Hydraulic cushioning in the vertical end positions.
- All hydraulic functions protected with built-in pressure relief valves and check valves. All service and maintenance points easily available.



Model	Capacity	Load	Roll Range	Height	Weight	Horizontal Centre of Gravity	Vertical Centre of Gravity	Effective Thickness	Contact Pads	Contact Pad Gap	Mounting Height	Mounting Class
	Q	dP	A	D	W	HCG	VCG	LL	M x N	O	H	ISO
	kg	mm	mm	mm	kg	mm	mm	mm	mm	mm	mm	2328
<b>Single roll clamps - Unsplit long arm</b>												
AR-25RH-13F	2500	650	550-1300	830	720	232	360	190	220x300	200	60	2A/3A
AR-25RH-13	2500	650	250-1300	830	725	232	360	190	220x300	200	60	2A/3A
AR-25RH-14F	2200	700	600-1400	830	740	257	360	190	220x300	200	60	2A/3A
AR-25RH-14	2200	700	250-1400	830	745	257	360	190	220x300	200	60	2A/3A
AR-25RH-15F	2100	760	650-1520	830	760	287	360	190	220x300	200	60	2A/3A
AR-25RH-15	2100	760	260-1520	830	765	287	360	190	220x300	200	60	2A/3A
AR-25RH-16F	2000	800	700-1600	830	770	300	360	190	220x300	200	60	2A/3A
AR-25RH-16	2000	800	270-1600	830	775	300	360	190	220x300	200	60	2A/3A
AR-25RH-18F	1700	915	800-1830	830	820	358	360	200	220x300	200	60	2A/3A
AR-25RH-18	1700	915	400-1830	830	825	358	360	200	220x300	200	60	2A/3A

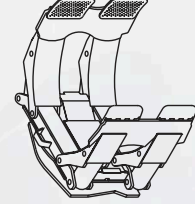
### 1 - 2 roll clamps - Split long arm

AR-25RU-13F	2500	650	550-1300	830	710	226	360	190	220x300	200	60	2A/3A
AR-25RU-13	2500	650	250-1300	830	715	226	360	190	220x300	200	60	2A/3A
AR-25RU-14F	2200	700	600-1400	830	730	250	360	190	220x300	200	60	2A/3A
AR-25RU-14	2200	700	250-1400	830	735	250	360	190	220x300	200	60	2A/3A
AR-25RU-15F	2100	760	650-1520	830	755	279	360	190	220x300	200	60	2A/3A
AR-25RU-15	2100	760	260-1520	830	760	279	360	190	220x300	200	60	2A/3A
AR-25RU-16F	2000	800	700-1600	830	760	292	360	190	220x300	200	60	2A/3A
AR-25RU-16	2000	800	270-1600	830	765	292	360	190	220x300	200	60	2A/3A
AR-25RU-18F	1700	915	800-1830	830	810	350	360	200	220x300	200	60	2A/3A
AR-25RU-18	1700	915	400-1830	830	815	350	360	200	220x300	200	60	2A/3A

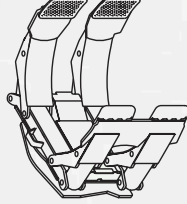
### Note:

Models AR-25RH/RJF with fixed (non-moving) short arm  
 Models AR-25RH/RJ with hydraulically positionable short arm  
 Two hydraulic functions are required. See hydraulic specifications page for pressure and flow rate recommendations. Special roll ranges on request.  
 Standard contact pads: cast pad with high-friction surface. Standard contact pad options: Rubber-faced, steel-sprayed or polyurethane faced.  
 Full length contact pads are available on request. Consult Bolzoni Auramo  
 Optional arm height, D = 1035 mm. Consult Bolzoni Auramo

**Note:**  
 Minimum 5-degree forward tilt on lift mast is required for horizontal handling. For 0-degree tilt, special arms are available. Consult Bolzoni Auramo.



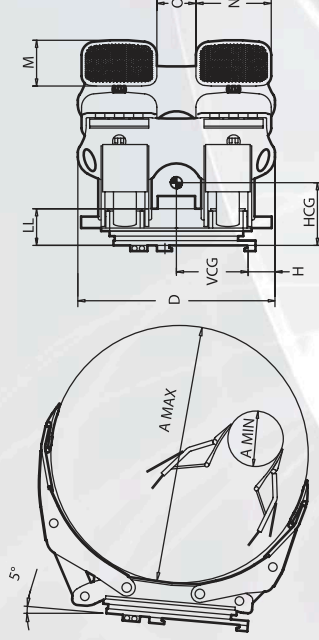
Unsplit long arm



Split long arm

# Paper Roll Clamps

## Models AR-30



- Rotating paper roll clamp for safe and effective vertical and horizontal roll handling.
- Slim and smooth arm and frame design, optimal visibility and advanced hydraulic operation.
- Pivoting arm movement. Short and long arms. Non-split long arm for single roll handling. Split arm for 1 - 2 roll handling.
- 180-degree rotation. Hydraulic cushioning in the vertical end positions.
- All hydraulic functions protected with built-in pressure relief valves and check valves. All service and maintenance points easily available.

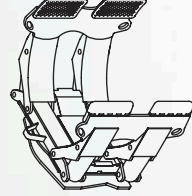
Model	Capacity	Load	Roll Range	Height	Weight	Horizontal Centre of Gravity	Vertical Centre of Gravity	Effective Thickness	Contact Pads	Contact Pad Gap	Mounting Height	Mounting Class
	Q	BP	A	D	W	HCG	VCG	LL	M x N	O	H	ISO
	kg	mm	mm	mm	kg	mm	mm	mm	mm	mm	mm	2328
<b>Single roll clamps - Unsplit long arm</b>												
AR-30RH-13F	3000	650	550-1300	1035	755	253	360	190	240x400	200	160	2A/3A
AR-30RH-13	3000	650	250-1300	1035	760	253	360	190	240x400	200	160	2A/3A
AR-30RH-14F	2850	700	600-1400	1035	775	274	360	190	240x400	200	160	2A/3A
AR-30RH-14	2850	700	250-1400	1035	780	274	360	190	240x400	200	160	2A/3A
AR-30RH-15F	2700	760	650-1520	1035	800	296	360	190	240x400	200	160	2A/3A
AR-30RH-15	2700	760	260-1520	1035	805	296	360	190	240x400	200	160	2A/3A
AR-30RH-16F	2500	800	700-1600	1035	810	305	360	190	240x400	200	160	2A/3A
AR-30RH-16	2500	800	270-1600	1035	815	305	360	190	240x400	200	160	2A/3A
AR-30RH-18F	2150	915	800-1830	1035	855	350	360	200	240x400	200	160	2A/3A
AR-30RH-18	2150	915	400-1830	1035	860	350	360	200	240x400	200	160	2A/3A
<b>1 - 2 roll clamps - Split long arm</b>												
AR-30RJ-13F	3000	650	550-1300	1035	745	251	360	190	240x400	200	160	2A/3A
AR-30RJ-13	3000	650	250-1300	1035	750	251	360	190	240x400	200	160	2A/3A
AR-30RJ-14F	2850	700	600-1400	1035	770	265	360	190	240x400	200	160	2A/3A
AR-30RJ-14	2850	700	250-1400	1035	775	265	360	190	240x400	200	160	2A/3A
AR-30RJ-15F	2700	760	650-1520	1035	790	279	360	190	240x400	200	160	2A/3A
AR-30RJ-15	2700	760	260-1520	1035	795	279	360	190	240x400	200	160	2A/3A
AR-30RJ-16F	2500	800	700-1600	1035	800	287	360	190	240x400	200	160	2A/3A
AR-30RJ-16	2500	800	270-1600	1035	805	287	360	190	240x400	200	160	2A/3A
AR-30RJ-18F	2150	915	800-1830	1035	845	322	360	200	240x400	200	160	2A/3A
AR-30RJ-18	2150	915	400-1830	1035	850	322	360	200	240x400	200	160	2A/3A

### Note:

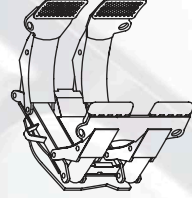
Models AR-30RHF/RJF with fixed (non-moving) short arm  
 Models AR-30RH/RJ with hydraulically positionable short arm  
 Two hydraulic functions are required. See hydraulic specifications page for pressure and flow rate recommendations. Special roll ranges on request.  
 Standard contact pads: cast pad with high-friction surface. Standard contact pad options: Rubber-faced, steel-sprayed or polyurethane faced.  
 Full length contact pads are available on request. Consult Bolzoni Auramo  
 Optional arm height, D = 830 mm. Consult Bolzoni Auramo

### Note:

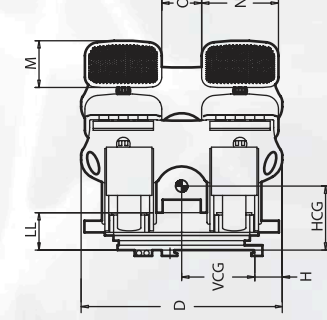
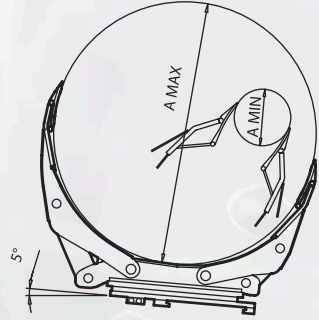
Minimum 5-degree forward tilt on lift mast is required for horizontal handling. For 0-degree tilt, special arms are available. Consult Bolzoni Auramo.



Unsplit long arm



Split long arm



- Rotating paper roll clamp for safe and effective vertical and horizontal roll handling.
- Slim and smooth arm and frame design, optimal visibility and advanced hydraulic operation.
- Pivoting arm movement. Short and long arms. Non-split long arm for single roll handling. Split arm for 1 - 2 roll handling, 180-degree rotation. Hydraulic cushioning in the vertical end positions.
- All hydraulic functions protected with built-in pressure relief valves and check valves. All service and maintenance points easily available.

Model	Capacity	Load	Centre	Roll Range	Height	Weight	Horizontal Centre of Gravity	Vertical Centre of Gravity	Effective Thickness	Contact Pads	Contact Pad Gap	Mounting Height	Mounting Class
	Q	dP	A	D	W	HCG	VCG	LL	M x N	O	H	ISO	
	kg	mm	mm	mm	kg	mm	mm	mm	mm	mm	mm	mm	2328
<b>Single roll clamps - Unsplit long arm</b>													
AR-33RH-13F	3500	650	550-1300	1035	780	245	360	190	240x400	200	160	2A/3A	
AR-33RH-13	3500	650	250-1300	1035	785	245	360	190	240x400	200	160	2A/3A	
AR-33RH-14F	3250	700	600-1400	1035	800	269	360	190	240x400	200	160	2A/3A	
AR-33RH-14	3250	700	250-1400	1035	805	269	360	190	240x400	200	160	2A/3A	
AR-33RH-15F	3000	760	650-1520	1035	825	289	360	190	240x400	200	160	2A/3A	
AR-33RH-15	3000	760	260-1520	1035	830	299	360	190	240x400	200	160	2A/3A	
AR-33RH-16F	2800	800	700-1600	1035	835	312	360	190	240x400	200	160	2A/3A	
AR-33RH-16	2800	800	270-1600	1035	840	312	360	190	240x400	200	160	2A/3A	
AR-33RH-18F	2500	915	800-1830	1035	880	368	360	200	240x400	200	160	2A/3A	
AR-33RH-18	2500	915	400-1830	1035	885	368	360	200	240x400	200	160	2A/3A	

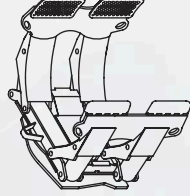
**1 - 2 roll clamps - Split long arm**

AR-33RU-13F	3500	650	550-1300	1035	770	239	360	190	240x400	200	160	2A/3A	
AR-33RU-13	3500	650	250-1300	1035	775	239	360	190	240x400	200	160	2A/3A	
AR-33RU-14F	3250	700	600-1400	1035	795	262	360	190	240x400	200	160	2A/3A	
AR-33RU-14	3250	700	250-1400	1035	800	262	360	190	240x400	200	160	2A/3A	
AR-33RU-15F	3000	760	650-1520	1035	815	292	360	190	240x400	200	160	2A/3A	
AR-33RU-15	3000	760	260-1520	1035	820	292	360	190	240x400	200	160	2A/3A	
AR-33RU-16F	2800	800	700-1600	1035	825	305	360	190	240x400	200	160	2A/3A	
AR-33RU-16	2800	800	270-1600	1035	830	305	360	190	240x400	200	160	2A/3A	
AR-33RU-18F	2500	915	800-1830	1035	870	361	360	200	240x400	200	160	2A/3A	
AR-33RU-18	2500	915	400-1830	1035	875	361	360	200	240x400	200	160	2A/3A	

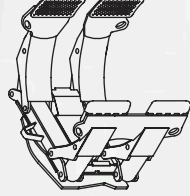
**Note:**

Models AR-33RH/RJUF with fixed (non-moving) short arm  
Models AR-33RH/RJ with hydraulically positionable short arm

Two hydraulic functions are required. See hydraulic specifications page for pressure and flow rate recommendations. Special roll ranges on request. Standard contact pads: cast pad with high-friction surface. Standard contact pad options: Rubber-faced, steel-sprayed or polyurethane faced. Full length contact pads are available on request. Consult Bolzoni Auramo Optional arm height, D = 830 mm. Consult Bolzoni Auramo



**Unsplit long arm**



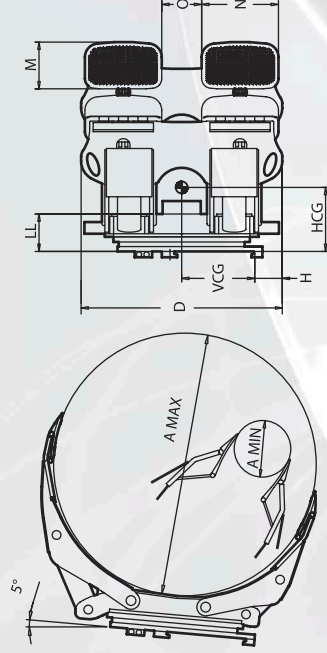
**Split long arm**

**Note:**

Minimum 5-degree forward tilt on lift mast is required for horizontal handling. For 0-degree tilt, special arms are available. Consult Bolzoni Auramo.

# Paper Roll Clamps

## Models AR-37



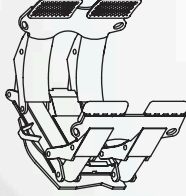
- Rotating paper roll clamp for safe and effective vertical and horizontal roll handling.
- Slim and smooth arm and frame design, optimal visibility and advanced hydraulic operation.
- Pivoting arm movement. Short and long arms. Non-split long arm for single roll handling. Split arm for 1 - 2 roll handling.
- 180-degree rotation. Hydraulic cushioning in the vertical end positions.
- All hydraulic functions protected with built-in pressure relief valves and check valves. All service and maintenance points easily available.

Model	Capacity		Load Centre	Roll Range	Height	Weight		Centre of Gravity		Vertical Centre of Gravity	Effective Thickness	Contact Pads	Contact Pad Gap	Mounting		Mounting Class
	Q	BP				A	D	W	HCG					VCG	LL	
<b>Single roll clamps - Unsplit long arm</b>																
AR-37RH-13F	4000	650	450-1300	1135	935	251	435	190	280x400	300	130	3A/4A				
AR-37RH-13	4000	650	250-1300	1135	940	251	435	190	280x400	300	130	3A/4A				
AR-37RH-14F	3900	700	450-1400	1135	945	271	435	190	280x400	300	130	3A/4A				
AR-37RH-14	3900	700	250-1400	1135	950	271	435	190	280x400	300	130	3A/4A				
AR-37RH-15F	3800	760	500-1520	1135	955	296	435	190	280x400	300	130	3A/4A				
AR-37RH-15	3800	760	250-1520	1135	960	296	435	190	280x400	300	130	3A/4A				
AR-37RH-16F	3700	800	500-1600	1135	965	310	435	190	280x400	300	130	3A/4A				
AR-37RH-16	3700	800	250-1600	1135	970	310	435	190	280x400	300	130	3A/4A				
AR-37RH-18F	3300	915	650-1830	1135	1030	366	435	190	280x400	300	130	3A/4A				
AR-37RH-18	3300	915	350-1830	1135	1035	366	435	190	280x400	300	130	3A/4A				
AR-37RH-19	2900	950	400-1900	1135	1070	385	435	190	280x400	300	130	3A/4A				
AR-37RH-20	2800	1000	400-2000	1135	1100	405	435	190	280x400	300	130	3A/4A				
<b>1 - 2 roll clamps - Split long arm</b>																
AR-37RJ-13F	4000	650	450-1300	1135	920	247	435	190	280x400	300	130	3A/4A				
AR-37RJ-13	4000	650	250-1300	1135	925	247	435	190	280x400	300	130	3A/4A				
AR-37RJ-14F	3900	700	450-1400	1135	930	267	435	190	280x400	300	130	3A/4A				
AR-37RJ-14	3900	700	250-1400	1135	935	267	435	190	280x400	300	130	3A/4A				
AR-37RJ-15F	3800	760	500-1520	1135	940	291	435	190	280x400	300	130	3A/4A				
AR-37RJ-15	3800	760	250-1520	1135	945	291	435	190	280x400	300	130	3A/4A				
AR-37RJ-16F	3700	800	500-1600	1135	950	305	435	190	280x400	300	130	3A/4A				
AR-37RJ-16	3700	800	250-1600	1135	955	305	435	190	280x400	300	130	3A/4A				
AR-37RJ-18F	3300	915	650-1830	1135	1010	361	435	190	280x400	300	130	3A/4A				
AR-37RJ-18	3300	915	350-1830	1135	1015	361	435	190	280x400	300	130	3A/4A				
AR-37RJ-19	2900	950	400-1900	1135	1050	380	435	190	280x400	300	130	3A/4A				
AR-37RJ-20	2800	1000	400-2000	1135	1080	400	435	190	280x400	300	130	3A/4A				

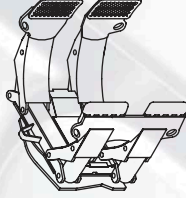
### Note:

Models AR-37RHF/RJF with fixed (non-moving) short arm  
 Models AR-37RH/RJ with hydraulically positionable short arm

Two hydraulic functions are required. See hydraulic specifications page for pressure and flow rate recommendations. Special roll ranges on request.  
 Standard contact pads: cast pad with high-friction surface. Standard contact pad options: Rubber-faced, steel-sprayed or polyurethane faced.  
 Full length contact pads are available on request. Consult Bolzoni Auramo  
 Optional arm height, D = 1235 mm. Consult Bolzoni Auramo



Unsplit long arm



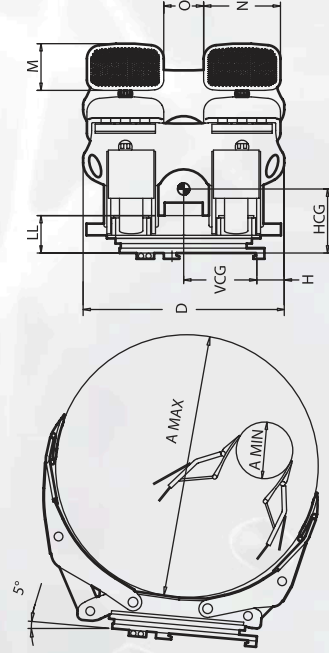
Split long arm

**Note:**  
 Minimum 5-degree forward tilt on lift mast is required for horizontal handling. For 0-degree tilt, special arms are available. Consult Bolzoni Auramo.

# Paper Roll Clamps

## Models AR-40

- Rotating paper roll clamp for safe and effective vertical and horizontal roll handling.
- Slim and smooth arm and frame design, optimal visibility and advanced hydraulic operation.
- Pivoting arm movement. Short and long arms. Non-split long arm for single roll handling. Split arm for 1 - 2 roll handling, 180-degree rotation. Hydraulic cushioning in the vertical end positions.
- All hydraulic functions protected with built-in pressure relief valves and check valves. All service and maintenance points easily available.

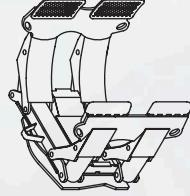


Model	Capacity	Load	Roll Range	Height	Weight	Horizontal Centre of Gravity	Vertical Centre of Gravity	Effective Thickness	Contact Pads	Contact Pad Gap	Mounting Height	Mounting Class
	Q	BP	A	D	W	HCG	VCG	LL	M x N	O	H	ISO
	kg	mm	mm	mm	kg	mm	mm	mm	mm	mm	mm	2328
<b>Single roll clamps - Unsplit long arm</b>												
AR-40RH-13	4600	650	250-1300	1240	1605	300	405	210	280x500	200	205	3A/4A
AR-40RH-14	4300	700	250-1400	1240	1080	310	405	210	280x500	200	205	3A/4A
AR-40RH-15	4200	760	250-1520	1240	1085	325	405	210	280x500	200	205	3A/4A
AR-40RH-16	4000	800	250-1600	1240	1110	320	405	210	280x500	200	205	3A/4A
AR-40RH-17	3900	850	350-1700	1240	1130	330	405	210	280x500	200	205	3A/4A
AR-40RH-18	3800	915	350-1830	1240	1150	340	405	210	280x500	200	205	3A/4A
<b>1 - 2 roll clamps - Split long arm</b>												
AR-40RU-13	4600	650	250-1300	1240	1055	290	405	210	280x500	200	205	3A/4A
AR-40RU-14	4300	700	250-1400	1240	1070	300	405	210	280x500	200	205	3A/4A
AR-40RU-15	4200	760	250-1520	1240	1085	305	405	210	280x500	200	205	3A/4A
AR-40RU-16	4000	800	250-1600	1240	1100	310	405	210	280x500	200	205	3A/4A
AR-40RU-17	3900	850	350-1700	1240	1120	320	405	210	280x500	200	205	3A/4A
AR-40RU-18	3800	915	350-1830	1240	1140	330	405	210	280x500	200	205	3A/4A

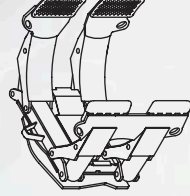
### Note:

Two hydraulic functions are required. See hydraulic specifications page for pressure and flow rate recommendations. Special roll ranges on request. Standard contact pads: cast pad with high-friction surface. Standard contact pad options: Rubber-faced, steel-sprayed or polyurethane faced. Full length contact pads are available on request. Consult Bolzoni Auramo

**Note:** Minimum 5-degree forward tilt on lift mast is required for horizontal handling. For 0-degree tilt, special arms are available. Consult Bolzoni Auramo.



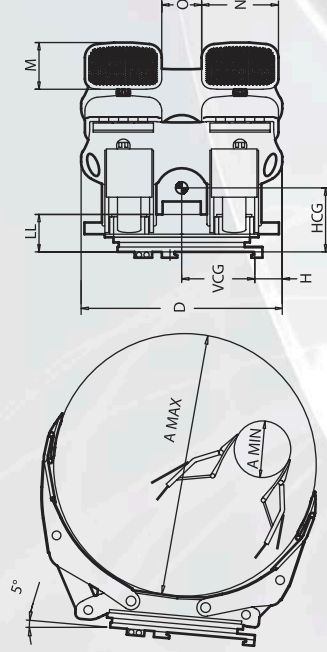
Unsplit long arm



Split long arm

# Paper Roll Clamps

## Models AR-45



- Rotating vertical roll clamp for safe and effective vertical and horizontal roll handling.
- Slim and smooth arm and frame design, optimal visibility and advanced hydraulic operation.
- Pivoting arm movement. Short and long arms. Non-split long arm for single roll handling. Split arm for 1 - 2 roll handling.
- 180-degree rotation. Hydraulic cushioning in the vertical end positions.
- All hydraulic functions protected with built-in pressure relief valves and check valves. All service and maintenance points easily available.

Model	Capacity	Load	Roll Range	Height	Weight	Horizontal Centre of Gravity	Vertical Centre of Gravity	Effective Thickness	Contact Pads	Contact Pad Gap	Mounting Height	Mounting Class
	Q	BP	A	D	W	HCG	VCG	LL	M x N	O	H	ISO
	kg	mm	mm	mm	kg	mm	mm	mm	mm	mm	mm	2328
<b>Single roll clamps - Unsplit long arm</b>												
AR-45RH-13	5000	650	250-1300	1240	1175	250	395	212	280x500	200	220	3A/4A
AR-45RH-14	4800	700	250-1400	1240	1200	270	395	212	280x500	200	220	3A/4A
AR-45RH-15	4600	760	250-1520	1240	1230	300	395	212	280x500	200	220	3A/4A
AR-45RH-16	4500	800	250-1600	1240	1270	325	395	212	280x500	200	220	3A/4A
AR-45RH-17	4200	850	300-1700	1240	1305	355	395	212	280x500	200	220	3A/4A
AR-45RH-18	3900	915	350-1830	1240	1340	385	395	212	280x500	200	220	3A/4A
AR-45RH-19	3600	950	450-1900	1240	1380	400	395	212	280x500	200	220	3A/4A
AR-45RH-20	3500	1000	450-2000	1240	1410	420	395	212	280x500	200	220	3A/4A
AR-45RH-21	3300	1050	450-2100	1240	1440	440	395	212	280x500	200	220	3A/4A
<b>1 - 2 roll clamps - Split long arm</b>												
AR-45RJ-13	5000	650	250-1300	1240	1160	245	395	212	280x500	200	220	3A/4A
AR-45RJ-14	4800	700	250-1400	1240	1190	270	395	212	280x500	200	220	3A/4A
AR-45RJ-15	4600	760	250-1520	1240	1220	295	395	212	280x500	200	220	3A/4A
AR-45RJ-16	4500	800	250-1600	1240	1260	320	395	212	280x500	200	220	3A/4A
AR-45RJ-17	4200	850	300-1700	1240	1295	350	395	212	280x500	200	220	3A/4A
AR-45RJ-18	3900	915	350-1830	1240	1330	380	395	212	280x500	200	220	3A/4A
AR-45RJ-19	3600	950	450-1900	1240	1370	395	395	212	280x500	200	220	3A/4A
AR-45RJ-20	3500	1000	450-2000	1240	1400	415	395	212	280x500	200	220	3A/4A
AR-45RJ-21	3300	1050	450-2100	1240	1430	435	395	212	280x500	200	220	3A/4A

**Note:**

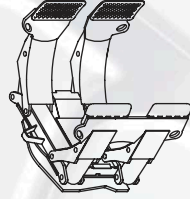
Two hydraulic functions are required. See hydraulic specifications page for pressure and flow rate recommendations. Special roll ranges on request. Standard contact pads: cast pad with high-friction surface. Standard contact pad options: Rubber-faced, steel-sprayed or polyurethane faced. Full length contact pads are available on request. Consult Bolzoni Auramo

**Note:**

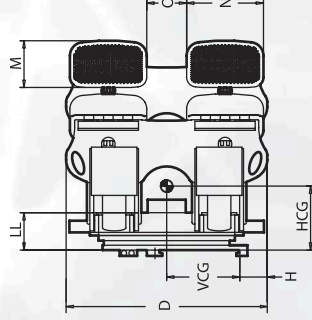
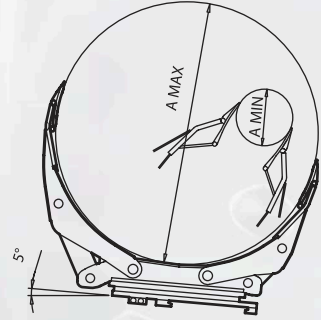
Minimum 5-degree forward tilt on lift mast is required for horizontal handling. For 0-degree tilt, special arms are available. Consult Bolzoni Auramo.



Unsplit long arm



Split long arm



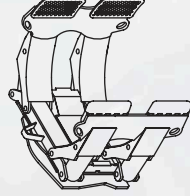
- Rotating paper roll clamp for safe and effective vertical and horizontal roll handling.
- Slim and smooth arm and frame design, optimal visibility and advanced hydraulic operation.
- Pivoting arm movement. Short and long arms. Non-split long arm for single roll handling. Split arm for 1 - 2 roll handling, 180-degree rotation. Hydraulic cushioning in the vertical end positions.
- All hydraulic functions protected with built-in pressure relief valves and check valves. All service and maintenance points easily available.

Model	Capacity kg	Load D/B mm	Centre A mm	Roll Range	Height D mm	Weight W kg	Horizontal Centre of Gravity HCG mm	Vertical Centre of Gravity VCG mm	Effective Thickness LL mm	Contact Pads M x N mm	Contact Pad Gap O mm	Mounting Height H mm	Mounting Class ISO 2328
<b>Single roll clamps - Unsplit long arm</b>													
AR-53RH-13	5600	650	400-1300	1240	1415	235	520	520	240	280x500	200	94	4A
AR-53RH-14	5500	700	430-1400	1240	1420	260	520	240	240	280x500	200	94	4A
AR-53RH-15	5400	760	470-1520	1240	1450	275	520	240	240	280x500	200	94	4A
AR-53RH-16	5300	800	500-1600	1240	1470	300	520	240	240	280x500	200	94	4A
AR-53RH-17	5000	850	600-1700	1240	1485	320	520	240	240	280x500	200	94	4A
AR-53RH-18	4600	915	560-1830	1240	1500	340	520	240	240	280x500	200	94	4A
AR-53RH-20	4000	1000	550-2000	1240	1530	380	520	240	240	280x500	200	94	4A
AR-53RH-21	3800	1050	600-2100	1240	1550	400	520	240	240	280x500	200	94	4A
<b>1 - 2 roll clamps - Split long arm</b>													
AR-53RU-13	5600	650	400-1300	1240	1405	235	520	520	240	280x500	200	94	4A
AR-53RU-14	5500	700	430-1400	1240	1410	260	520	240	240	280x500	200	94	4A
AR-53RU-15	5400	760	470-1520	1240	1440	275	520	240	240	280x500	200	94	4A
AR-53RU-16	5300	800	500-1600	1240	1460	295	520	240	240	280x500	200	94	4A
AR-53RU-17	5000	850	600-1700	1240	1475	315	520	240	240	280x500	200	94	4A
AR-53RU-18	4600	915	560-1830	1240	1490	340	520	240	240	280x500	200	94	4A
AR-53RU-20	4000	1000	550-2000	1240	1520	375	520	240	240	280x500	200	94	4A
AR-53RU-21	3800	1050	600-2100	1240	1540	395	520	240	240	280x500	200	94	4A

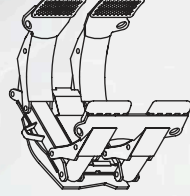
**Note:**

Two hydraulic functions are required. See hydraulic specifications page for pressure and flow rate recommendations. Special roll ranges on request. Standard contact pads: cast pad with high-friction surface. Standard contact pad options: Rubber-faced, steel-sprayed or polyurethane faced. Full length contact pads are available on request. Consult Bolzoni Auramo.

**Note:**  
Minimum 5-degree forward tilt on lift mast is required for horizontal handling. For 0-degree tilt, special arms are available. Consult Bolzoni Auramo.



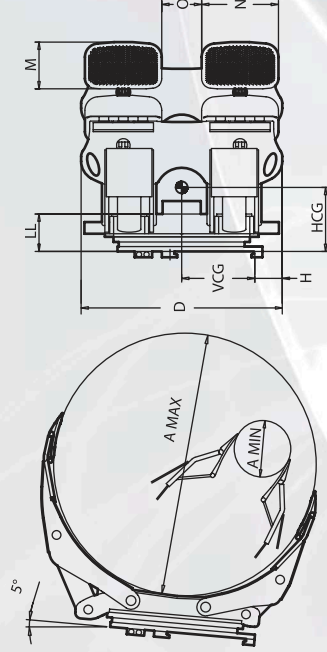
Unsplit long arm



Split long arm

# Paper Roll Clamps

## Models AR-60



- Rotating paper roll clamp for safe and effective vertical and horizontal roll handling.
- Slim and smooth arm and frame design, optimal visibility and advanced hydraulic operation.
- Pivoting arm movement. Short and long arms. Non-split long arm for single roll handling. Split arm for 1 - 2 roll handling.
- 180-degree rotation. Hydraulic cushioning in the vertical end positions.
- All hydraulic functions protected with built-in pressure relief valves and check valves. All service and maintenance points easily available.

Model	Capacity	Load	Roll Range	Height	Weight	Horizontal Centre of Gravity	Vertical Centre of Gravity	Effective Thickness	Contact Pads	Contact Pad Gap	Mounting Height	Mounting Class
	Q	BP	A	D	W	HCG	VCG	LL	M x N	O	H	ISO
	kg	mm	mm	mm	kg	mm	mm	mm	mm	mm	mm	2328
<b>Single roll clamps - Unsplit long arm</b>												
AR-60RH-13	6500	650	500-1300	1340	1660	300	470	245	280x500	300	190	4A
AR-60RH-15	6300	760	500-1620	1340	1670	340	470	245	280x500	300	190	4A
AR-60RH-16	6000	800	500-1600	1340	1680	380	470	245	280x500	300	190	4A
<b>1 - 2 roll clamps - Split long arm</b>												
AR-60RJ-13	6500	650	500-1300	1340	1640	295	470	245	280x500	300	190	4A
AR-60RJ-15	6300	760	500-1620	1340	1650	335	470	245	280x500	300	190	4A
AR-60RJ-16	6000	800	500-1600	1340	1660	375	470	245	280x500	300	190	4A

### Note:

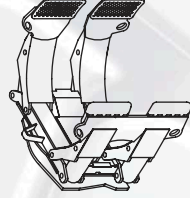
Two hydraulic functions are required. See hydraulic specifications page for pressure and flow rate recommendations. Special roll ranges on request. Standard contact pads: cast pad with high-friction surface. Standard contact pad options: Rubber-faced, steel-sprayed or polyurethane faced. Full length contact pads are available on request. Consult Bolzoni Auramo.

### Note:

Minimum 5-degree forward tilt on lift mast is required for horizontal handling. For 0-degree tilt, special arms are available. Consult Bolzoni Auramo.



Unsplit long arm



Split long arm