

- Rotating paper roll clamp for vertical and horizontal handling of 1-2 rolls.
- Pivoting arm movement. Short and long arms. Split long arm. Several contact pad options in standard series.
- 180-degree rotation, with hydraulic cushioning in the vertical positions

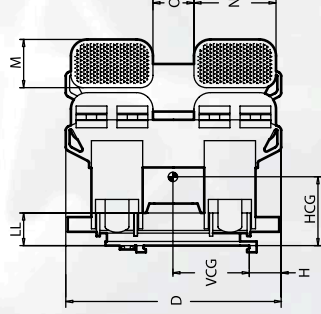
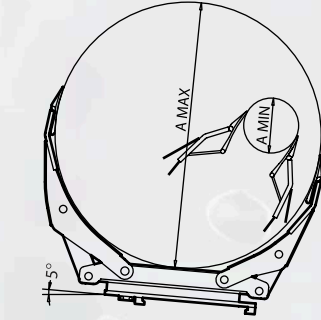
Model	Capacity kg	Load Centre mm	Roll Range mm	Height mm	Weight kg	Horizontal Centre of Gravity HCG mm	Vertical Centre of Gravity VCG mm	Effective Thickness mm	Contact Pads M x N mm	Contact Pad Gap mm	Mounting Height mm	Mounting Class
Single roll clamps - Unsplit long arm												
RA-180-N	1800	650	250-1300	830	570	250	365	180	210x300	200	55	2A/3A
RA-180-NS	1800	550	250-1100	830	555	230	365	180	210x300	200	55	2A/3A
1-2 roll clamps - Split long arm												
RA-150-NLJ	1500	850	250-1700	830	610	295	365	180	210x300	200	55	2A/3A
RA-180-NJ	1800	650	250-1300	830	560	240	365	180	210x300	200	55	2A/3A
RA-180-NSJ	1800	550	250-1100	830	545	220	365	180	210x300	200	55	2A/3A

Note:

Two hydraulic functions. Consult Bolzoni Auramo for hydraulic pressure and flow rate recommendations. Special roll ranges on request.

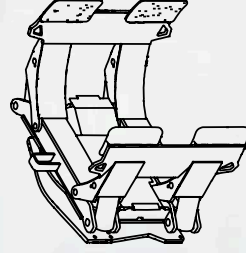
Standard contact pads: cast pad with a high-friction surface. Contact pad options: steel-sprayed surface, rubber-faced, polyurethane- faced or flexible. Full-length contact pads available.

For bilge handling, 5-degree forward tilt on upright is required. For 0-degree tilt, special arms are available. Consult Bolzoni Auramo.



- Rotating paper roll clamp for vertical and horizontal handling of single rolls.
- Pivoting arms movement. Mobile long arm and positionable short arm. Several contact pad options in standard series.
- 180-degree rotation. Hydraulic cushioning in the vertical positions.

Model	Capacity	Load Centre	Roll Range	Height	Weight	Horizontal Centre of Gravity	Vertical Centre of Gravity	Effective Thickness	Contact Pads	Contact Pad Gap	Mounting Height	Mounting Class
	Q	BP	A	D	W	HCG	VCG	LL	M x N ^①	O	H	ISO
	kg	mm	mm	mm	kg	mm	mm	mm	mm	mm	mm	2328
RA-500-NL	5000	1250	600-2500	1440	2150	460	475	260	400x600	200	230	4A HD
RA-515-NL	5150	1200	600-2400	1440	2120	445	475	260	400x600	200	230	4A HD
RA-530-NL	5300	1150	550-2300	1440	2090	435	475	260	400x600	200	230	4A HD
RA-550-NL	5500	1100	550-2200	1440	2065	425	475	260	400x600	200	230	4A HD
RA-560-NL	5600	1050	580-2100	1440	2040	415	475	260	400x600	200	230	4A HD
RA-580-NL	5800	1000	500-2000	1440	2000	410	475	260	400x600	200	230	4A HD
RA-600-NL	6000	950	500-1900	1440	1955	400	475	260	400x600	200	230	4A HD
RA-630-NL	6300	915	500-1830	1440	1900	390	475	260	400x600	200	230	4A HD
RA-660-NL	6600	850	500-1700	1440	1875	385	475	260	400x600	200	230	4A HD
RA-700-N	7000	800	500-1600	1440	1850	380	475	260	400x600	200	230	4A HD



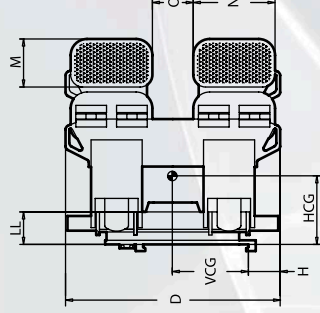
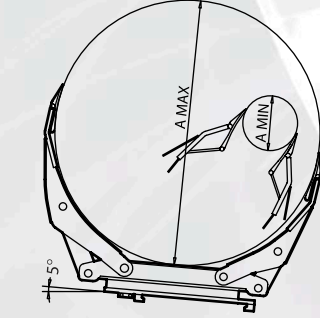
Two hydraulic functions. See page 1-37 for hydraulic pressure and flow rate recommendations. Special roll ranges on request.

① Standard contact pads: cast pad with a high-friction surface. Contact pad options: steel-sprayed surface, rubber-faced, polyurethane-faced or flexible. Full-length contact pads available. Please see page 1-40.

Note: For bilge handling, 5-degree forward tilt on upright is required. For 0-degree tilt, special arms are available. Consult Bolzoni Auramo.

Paper Roll Clamps

Models RA-NJ



- Rotating paper roll clamp for vertical and horizontal handling of 1-2 rolls.
- Pivoting arm movement. Short and long arms. Split long arm. Several contact pad options in standard series.
- 180-degree rotation, with hydraulic cushioning in the vertical positions.
- Positionable short arm.

Model	Capacity	Load Centre	Roll Range	Height	Weight	Horizontal Centre of Gravity	Vertical Centre of Gravity	Effective Thickness	Contact Pads ^①	Contact Pad Gap	Mounting Height	Mounting Class
	Q kg	BP mm	A mm	D mm	W kg	HCG mm	VCG mm	LL mm	M x N mm	O mm	H mm	ISO
RA-500-NLJ	5000	1250	600-2500	1440	2130	455	475	260	400x600	200	230	4A HD
RA-515-NLJ	5150	1200	600-2400	1440	2100	445	475	260	400x600	200	230	4A HD
RA-530-NLJ	5300	1150	550-2300	1440	2070	435	475	260	400x600	200	230	4A HD
RA-550-NLJ	5500	1100	550-2200	1440	2045	425	475	260	400x600	200	230	4A HD
RA-560-NLJ	5600	1050	580-2100	1440	2020	415	475	260	400x600	200	230	4A HD
RA-580-NLJ	5800	1000	500-2000	1440	1980	410	475	260	400x600	200	230	4A HD
RA-600-NLJ	6000	950	500-1900	1440	1930	390	475	260	400x600	200	230	4A HD
RA-630-NLJ	6300	915	500-1830	1440	1870	390	475	260	400x600	200	230	4A HD
RA-660-NLJ	6600	850	500-1700	1440	1850	385	475	260	400x600	200	230	4A HD
RA-700-NJ	7000	800	500-1600	1440	1830	380	475	260	400x600	200	230	4A HD

Two hydraulic functions. See page 1-37 for hydraulic pressure and flow rate recommendations. Special roll ranges on request.

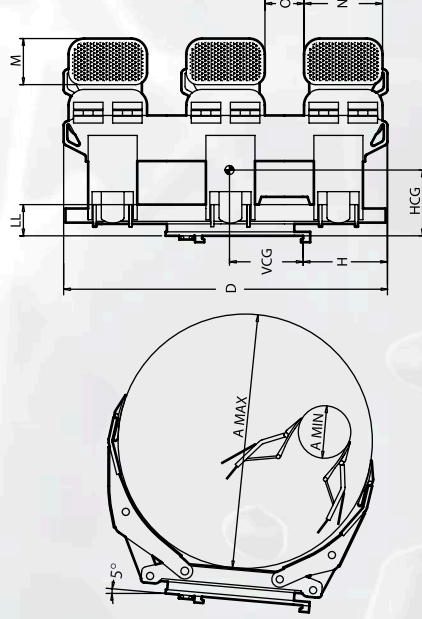
① Standard contact pads: cast pad with high-friction surface. Contact pad options: steel-sprayed surface, rubber-faced, polyurethane-faced, or flexible. Full-length contact pads available on short arm side. Please see page 1-40.

Note: For bilge handling, 5-degree forward tilt on upright is required. For 0-degree tilt, special arms are available. Consult Bolzoni Auramo.



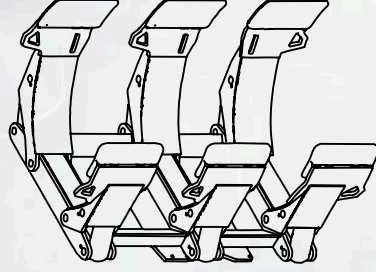
Jumbo Paper Roll Clamps

Models RA-NJ-3



- Rotating Paper Roll clamp for vertical and horizontal roll handling.
- Three split long arms enable the handling of one large roll or 2-3 rolls of different diameters.
- Pivoting arm movement. Short and long arms. Several contact pad options in standard series.
- 180-degree rotation, with hydraulic cushioning in the vertical positions, eliminates the risk of edge damage.

Model	Capacity	Load Centre	Roll Range	Height	Weight	Horizontal Centre of Gravity	Vertical Centre of Gravity	Effective Thickness	Contact Pads	Contact Pad Gap	Mounting Height	Mounting Class
	Q	BP	A	D	W	HCG	VCG	LL	M x N	O	H	ISO
	kg	mm	mm	mm	kg	mm	mm	mm	mm	mm	mm	2328
RA-350-NJ-3	3500	800	250-1600	2040	1580	380	415	365	240x400	400	610	3A/4A
RA-450-NJ-3	4500	650	250-1300	2040	1500	340	415	365	240x400	400	610	3A/4A
RA-550-NJ-3	5500	900	250-1800	2340	2130	470	489	385	280x500	400	755	4A
RA-580-NJ-3	5800	800	250-1600	2340	2060	430	489	385	280x500	400	755	4A
RA-600-NLJ-3	6000	750	500-1500	2340	2040	420	489	385	280x500	400	755	4A
RA-600-NJ-3	6000	650	250-1300	2340	1980	400	489	385	280x500	400	755	4A
RA-800-NJ-3	8000	750	800-1500	2340	2560	440	489	435	280x500	400	755	4A ^①



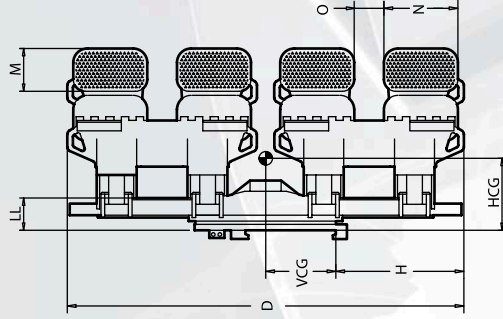
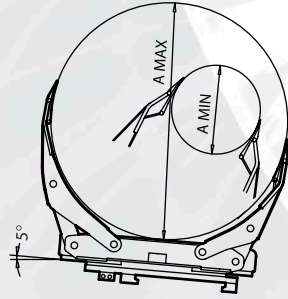
Two hydraulic functions. Special roll ranges on request. See page 1-37 for hydraulic pressure and flow rate recommendations.
Standard contact pads: cast pad with high-friction surface. Contact pad options: steel-sprayed surface, rubber-faced, polyurethane-faced, or flexible. Please see page 1-40.

Note: For bilge handling, 5-degree forward tilt on upright is required. For 0-degree tilt, special arms are available.

① Special mounting required.

Jumbo Paper Roll Clamps

Models RA-NJ-4



- Rotating Paper Roll clamp for vertical and horizontal roll-handling.
- Four split long arms with two positionable short arms enable the handling of one super-jumbo roll or 1-4 rolls of different diameters.
- Pivoting arm movement. Short and long arms. Several arm and contact pad options in standard series.
- 180-degree rotation, with hydraulic cushioning in the vertical positions eliminates the risk of edge-damage.

Model	Capacity	Load Centre	Roll Range	Height	Weight	Horizontal Centre of Gravity	Vertical Centre of Gravity	Effective Thickness	Contact Pads	Contact Pad Gap	Mounting Height	Mounting Class
	Q	BP	A	D	W	HCG	VCG	LL	M x N	O	H	ISO
	kg	mm	mm	mm	kg	mm	mm	mm	mm	mm	mm	2328
RA-580NJ-4	5800	700	600-1400	2240	1600	320	①	235	240x400	200	650	4A
RA-600NJ-4	6000	650	600-1300	2240	1530	290	①	235	240x400	200	650	4A
RA-700NJ-4	7000	915	600-1830	2640	2500	400	①	250	280x500	200	860	②
RA-750NJ-4	7500	800	600-1600	2640	2410	325	①	250	280x500	200	860	②
RA-760NJ-4	7600	750	600-1500	2640	2390	290	①	250	280x500	200	860	②
RA-780NJ-4	7800	700	600-1400	2640	2360	260	①	250	280x500	200	860	②
RA-800NJ-4	8000	650	600-1300	2640	2320	230	①	250	280x500	200	860	②



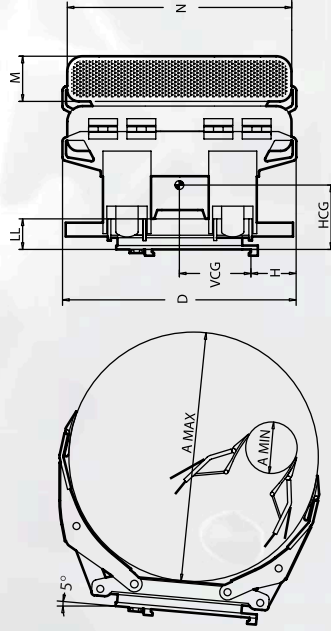
Two hydraulic functions. Special roll ranges on request.
 Standard contact pads: cast pad with high-friction surface. Contact pad options: steel-sprayed surface, rubber-faced, polyurethane-faced, or flexible. Please see page 1-40.

- ① Consult Bolzoni Auramo.
- ② Special mounting required. Please see page 1-38.

Note: For bilge handling, 5-degree forward tilt on upright is required. For 0-degree tilt, special arms are available. Consult Bolzoni Auramo.

Tissue Roll Clamps

Models RA-NT



- Rotating Paper Roll clamp for vertical and horizontal handling of a single tissue roll.
- Big-surface clamp pads prevent roll damage.
- Pivoting arm movement. Short and long arms.
- 180-degree rotation, with hydraulic cushioning in the vertical positions eliminates the risk of edge-damage.

Model	Capacity Q kg	Load Centre dB mm	Roll Range A mm	Height D mm	Weight W kg	Horizontal Centre of Gravity HCG mm	Vertical Centre of Gravity VCG mm	Effective Thickness LL mm	Contact Pads M x N mm ^①	Contact Pad Gap O mm	Mounting Height H mm	Mounting Class ISO 2328
RA-100-NLT	1000	1050	650-2100	1240	800	400	375	180	280x1200	-	255	2A/3A
RA-140-NT	1400	900	250-1800	1240	750	390	375	180	280x1200	-	255	2A/3A
RA-150-NT	1500	850	250-1700	1240	700	320	375	180	280x1200	-	255	2A/3A
RA-160-NT	1600	800	250-1600	1240	680	310	375	180	280x1200	-	255	2A/3A
AR-30RT-21	2100	1065	450-2130	1235	960	425	360	200	280x1200	-	260	2A/3A
AR-30RT-20	2250	1015	400-2030	1235	945	415	360	200	280x1200	-	260	2A/3A
AR-30RT-18	2500	915	400-1830	1235	910	385	360	200	280x1200	-	260	2A/3A
RA-200-NLT	2000	1250	850-2500	1440	1300	450	455	185	400x1400	-	280	3A/4A
RA-220-NLT	2200	1150	850-2300	1440	1280	420	455	185	400x1400	-	280	3A/4A
RA-240-NT	2400	1050	500-2100	1440	1220	380	455	185	400x1400	-	280	3A/4A
RA-270-NT	2700	1000	450-2000	1440	1190	355	455	185	400x1400	-	280	3A/4A
RA-280-NT	2800	900	250-1800	1440	1140	330	455	185	400x1400	-	280	3A/4A
RA-250-NLT	2500	1250	500-2500	1440	1440	510	430	210	400x1400	-	310	3A/4A
RA-280-NLT	2800	1200	450-2400	1440	1380	500	430	210	400x1400	-	310	3A/4A
RA-300-NT	3000	1100	500-2200	1440	1350	450	430	210	400x1400	-	310	3A/4A
RA-330-NT	3300	1000	500-2000	1440	1290	400	430	210	400x1400	-	310	3A/4A
RA-360-NT	3600	900	250-1800	1440	1220	355	430	210	400x1400	-	310	3A/4A
RA-320-NLT	3200	1250	850-2500	1440	1695	550	430	235	700x1400	-	240	4A
RA-400-NLT	4000	1300	850-2600	1440	2240	500	530	260	700x1400	-	x	4A
RA-500-NLT	5000	1250	650-2500	1440	2150	480	530	260	700x1400	-	x	4A
RA-600-NLT	6000	1350	1500-2700	1840	3400	800	660	290	700x1800	-	x	x



Two hydraulic functions. Special roll ranges on request. Consult Bolzoni Auramo for hydraulic pressure and flow rate recommendations.

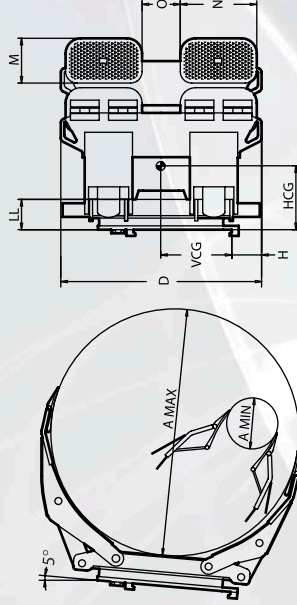
① Standard contact pads: rubber-faced, unsplit pads. Contact pad option: plain pad surface. Please see page 1-40.

Note: For bilge handling, 5-degree forward tilt on upright is required. For 0-degree tilt, special arms are available. Consult Bolzoni Auramo.

“Intelligent” Paper Roll Clamps

Models CTXAR G3

(See also page 1-33)



- 180-degree rotation Paper Roll clamp for vertical and horizontal handling of single rolls.
- Microprocessor control system to control the clamping force. Minimized clamping force prevents paper roll out-of-roundness.
- Pivoting arm movement. Short and long arms. Several arm and contact pad options in standard series.

Model	Capacity	Load Centre	Roll Range	Height	Weight	Horizontal Centre of Gravity	Vertical Centre of Gravity	Effective Thickness	Contact Pads	Contact Pad Gap	Mounting Height	Mounting Class
	Q	BP	A	D	W	HCG	VCG	LL	M x N	O	H	ISO
	kg	mm	mm	mm	kg	mm	mm	mm	mm	mm	mm	
CTXAR-22RH-13	2200	650	250-1300	830	635	247	360	180	220x300	200	60	2A/3A
CTXAR-30RH-13	3000	650	250-1300	1035	790	253	360	190	240x400	200	160	2A/3A
CTXAR-37RH-16	3700	800	250-1600	1135	1000	310	435	190	280x400	300	130	3A/4A
CTXAR-40RH-16	4000	800	250-1600	1240	1140	320	405	210	280x500	200	205	3A/4A
CTXAR-40RH-13	4600	650	250-1300	1240	1095	300	405	210	280x500	200	205	3A/4A
CTXAR-45RH-13	5000	650	250-1300	1240	1205	250	395	212	280x500	200	220	3A/4A
CTXAR-53RH-13	5600	650	400-1300	1240	1445	235	520	240	280x500	200	94	4A

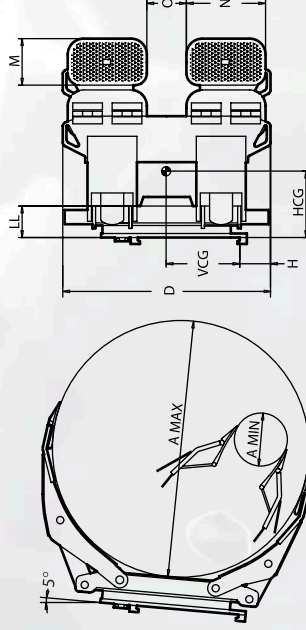
Two hydraulic functions. Special roll ranges on request. Consult Bolzoni Auramo for hydraulic pressure and flow rate recommendations.
 Standard contact pads: rubber-faced. Contact pad option: steel-sprayed surface. Full-length contact pads available. Please see page 1-40.
Note: For big handling, 5-degree forward tilt on upright is required. For 0-degree tilt, special arms are available. Consult Bolzoni Auramo.
 Note: CTXR Series clamps require special installation. Consult Bolzoni Auramo for details. Please note that the CTX clamping force control system is also available for several other Bolzoni Auramo pivot arm paper roll clamp models. Also for jumbo and multiple paper roll clamps. See page 1-33.
 Contact Bolzoni Auramo for more information.



“Intelligent” Paper Roll Clamps

Models CTXAR-J G3

(See also page 1-33)

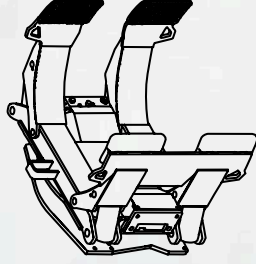


- 180-degree rotation Paper Roll clamp for vertical and horizontal handling of 1-2 rolls.
- Microprocessor control system to control the clamping force. Minimized clamping force prevents paper roll out-of-roundness.
- Pivoting arm movement. Short and long arms. Split long arm. Several arm and contact pad options in standard series.

Model	Capacity		Roll Range	Height	Weight	Horizontal Centre of Gravity		Vertical Centre of Gravity		Effective Thickness	Contact Pads	Contact Pad Gap	Mounting Height	Mounting Class
	Q kg	B mm				A mm	D mm	W kg	HCG mm					
CTXAR-22RJ-13	2200	650	250-1300	830	625	227	360	180	220x300	200	60	2A/3A		
CTXAR-30RJ-13	3000	650	250-1300	1035	780	251	360	190	240x400	200	160	2A/3A		
CTXAR-37RJ-16	3700	800	250-1600	1135	985	305	435	190	280x400	300	130	3A/4A		
CTXAR-40RJ-16	4000	800	250-1600	1240	1130	310	405	210	280x500	200	205	3A/4A		
CTXAR-40RJ-13	4600	650	250-1300	1240	1085	290	405	210	280x500	200	205	3A/4A		
CTXAR-45RJ-13	5000	650	250-1300	1240	1190	245	395	212	280x500	200	220	3A/4A		
CTXAR-53RJ-13	5600	650	400-1300	1240	1435	235	520	240	280x500	200	94	4A		

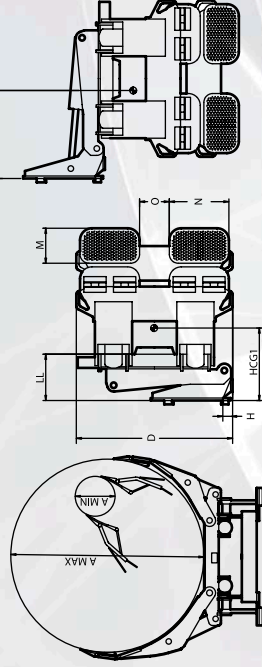
Two hydraulic functions. Special roll ranges on request. Consult Bolzoni Auramo for hydraulic pressure and flow rate recommendations. Standard contact pads: rubber-faced. Contact pad option: steel-sprayed surface. Full-length contact pads available. Please see page 1-40.

Note: For bilge handling, 5-degree forward tilt on upright is required. For 0-degree tilt, special arms are available. Consult Bolzoni Auramo. **Note:** CTXR Series clamps require special installation. Consult Bolzoni Auramo for details. Please note that the CTX clamping force control system is also available for several other Bolzoni Auramo pivot arm paper roll clamp models. Also for Jumbo and multiple paper roll clamps. See page 1-33. Contact Bolzoni Auramo for more information.



Tilting Paper Roll Clamps

Models TA-N



- Tilting Paper Roll clamp for vertical and horizontal handling of single rolls.
- Pivoting arm movement. Short and long arms. Several arm and contact pad options in standard series.
- 90-degree tilt with built-in check-valve.
- Thin-arm-profile design ensures tight stacking and effective damage-free handling with excellent visibility.

Model	Capacity kg	Load Centre mm ^①	Roll Range mm ^②	Height mm	Weight kg	Horizontal Centre of Gravity mm ^③	Vertical Centre of Gravity mm	Effective Thickness mm	Contact Pads M x N mm	Contact Pad Gap mm	Mounting Height mm	Mounting Class
	Q	BP1/BP2	A	D	W	HCG1/HCG2	VCG	LL	M x N	O	H	ISO
TA-220-N	2200	650/1200	250-1300	1040	720	385/575	④	320	240x400	200	80	2A/3A
TA-230-N	2300	900/1200	250-1800	1040	770	440/585	④	320	240x400	200	80	2A/3A
TA-250-N	2500	800/1200	250-1600	1040	740	410/580	④	320	240x400	200	80	2A/3A
TA-300-N	3000	650/1200	250-1300	1040	730	385/575	④	320	240x400	200	80	2A/3A
TA-280-N	2800	915/1300	250-1830	1240	1065	450/730	④	350	280x500	200	80	3A/4A
TA-320-N	3200	800/1300	250-1600	1240	1040	430/710	④	350	280x500	200	80	3A/4A
TA-350-N	3500	650/1300	250-1300	1240	1025	410/705	④	350	280x500	200	80	3A/4A
TA-380-N	3800	915/1300	300-1830	1240	1185	465/710	④	350	280x500	200	80	4A
TA-400-N	4000	800/1300	250-1600	1240	1145	445/710	④	350	280x500	200	80	4A
TA-450-N	4500	650/1300	250-1300	1240	1115	420/710	④	350	280x500	200	80	4A

Two hydraulic functions. Special roll ranges on request. Consult Bolzoni Auramo for hydraulic pressure and flow rate recommendations. Standard contact pads: cast pad with high-friction surface. Contact pad options: steel-sprayed surface, polyurethane-faced, rubber-faced or flexible. Full-length contact pads available on short arm side. Please see page 1-40.

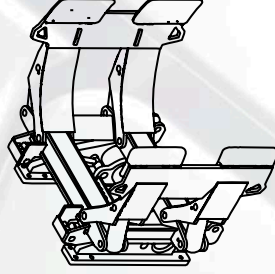
Short arm available on right or left side. Consult Bolzoni Auramo

① Load centre is rated in the vertical and horizontal tilted positions.

② Minimum roll range in the horizontal tilted position is greater. Consult Bolzoni Auramo.

③ Horizontal centre of gravity is indicated in the vertical position and in the horizontal tilted position.

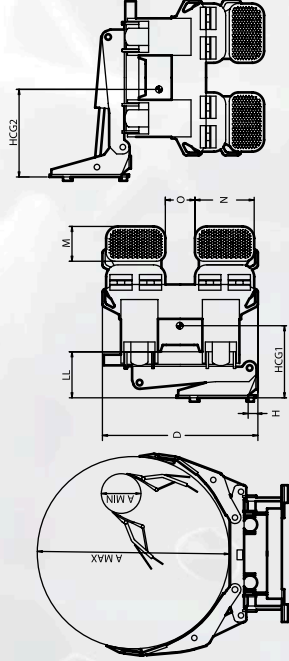
④ Consult Bolzoni Auramo regarding factory specifications.



Tilting Paper Roll Clamps

Models TA-NJ

- Tilting paper roll clamp for vertical and horizontal roll handling.
- Pivoting arm movement. Short and long arms. Split long arm. Several arm and contact pad options in standard series.
- 90-degree tilt with built in check-valve.
- Thin-arm-profile design ensures tight stacking and effective damage-free handling with excellent visibility.

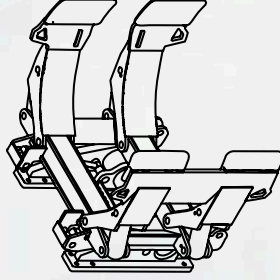


Model	Capacity kg	Q	BP1/BP2 mm ^①	A	Roll Range mm ^②	D	Height	Weight	Horizontal Centre of Gravity mm ^③	Vertical Centre of Gravity mm	Effective Thickness	Contact Pads	Contact Pad Gap	Mounting Height	Mounting Class
				mm ^②	mm	mm	kg	mm	HCG1/HCG2	VG	LL	M x N	O	H	ISO
TA-220-NJ	2200	650/1200	250-1300	1040	710	385/575	④	320	240x400	200	80	2A/3A		80	2A/3A
TA-230-NJ	2300	900/1200	250-1800	1040	760	440/585	④	320	240x400	200	80	2A/3A		80	2A/3A
TA-250-NJ	2500	800/1200	250-1600	1040	730	410/580	④	320	240x400	200	80	2A/3A		80	2A/3A
TA-300-NJ	3000	650/1200	250-1300	1040	720	385/575	④	320	240x400	200	80	2A/3A		80	2A/3A
TA-280-NJ	2800	915/1300	250-1830	1240	1055	450/730	④	350	280x500	200	80	3A/4A		80	3A/4A
TA-320-NJ	3200	800/1300	250-1600	1240	1030	430/710	④	350	280x500	200	80	3A/4A		80	3A/4A
TA-350-NJ	3500	650/1300	250-1300	1240	1015	410/705	④	350	280x500	200	80	3A/4A		80	3A/4A
TA-380-NJ	3800	915/1300	300-1830	1240	1175	465/710	④	350	280x500	200	80	4A		80	4A
TA-400-NJ	4000	800/1300	250-1600	1240	1135	445/710	④	350	280x500	200	80	4A		80	4A
TA-450-NJ	4500	650/1300	250-1300	1240	1105	420/710	④	350	280x500	200	80	4A		80	4A

Two hydraulic functions. Special roll ranges on request. Consult Bolzoni Auramo for hydraulic pressure and flow rate recommendations.
Standard contact pads: cast pad with high-friction surface. Contact pad options: steel-sprayed surface, polyurethane-faced, rubber-faced or flexible. Full-length contact pads available on short arm side. Please see page 1-40.

Short arm available on right or left side. Consult Bolzoni Auramo

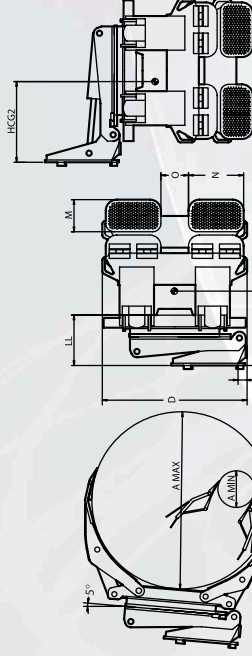
- ① Load centre is rated in the vertical and horizontal tilted positions.
- ② Minimum roll range in the horizontal tilted position is greater. Consult Bolzoni Auramo.
- ③ Horizontal centre of gravity is indicated in the vertical position and in the horizontal tilted position.
- ④ Consult Bolzoni Auramo regarding factory specifications.



Tilting and Rotating Paper Roll Clamps

Models TRA-N

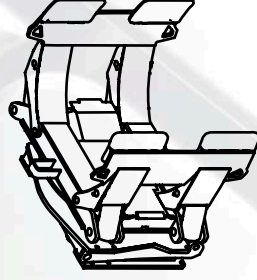
- Tilting and rotating paper roll clamp for vertical and horizontal roll handling.
- Pivoting arm movement. Short and long arms. Several different arm and contact pad options in standard series.
- 90-degree tilt with built-in check-valve.
- Thin-arm-profile design ensures tight stacking and effective damage-free handling with excellent visibility.
- 180-degree rotation, with hydraulic cushioning in the vertical positions.



Model	Capacity	Load Centre	Roll Range	Height	Weight	Horizontal Centre of Gravity	Vertical Centre of Gravity	Effective Thickness	Contact Pads	Contact Pad Gap	Mounting Height	Mounting Class
	Q	BP1/BP2	A	D	W	HCG1/HCG2	VCG	LL	M x N	O	H	ISO
	kg	mm ^①	mm ^②	mm	kg	mm ^③	mm	mm	mm	mm	mm	2328
TRA-220-N	2200	650 /1200	250-1300	1040	1060	390/635	④	430	240x400	200	80	2A/3A
TRA-230-N	2300	900 /1200	250-1800	1040	1100	435/635	④	430	240x400	200	80	2A/3A
TRA-250-N	2500	800 /1200	250-1600	1040	1080	415/635	④	430	240x400	200	80	2A/3A
TRA-300-N	3000	650 /1200	250-1300	1040	1060	390/635	④	430	240x400	200	80	2A/3A
TRA-280-N	2800	915 /1300	250-1830	1240	1540	445/730	④	460	280x500	200	80	3A/4A
TRA-320-N	3200	800 /1300	250-1600	1240	1520	430/725	④	460	280x500	200	80	3A/4A
TRA-350-N	3500	650 /1300	250-1300	1240	1500	415/725	④	460	280x500	200	80	3A/4A
TRA-360-NL	3500	800 /1300	250-1600	1240	1625	455/720	④	490	280x500	200	80	4A
TRA-380-N	3800	915 /1300	300-1830	1240	1655	470/725	④	490	280x500	200	80	4A
TRA-400-N	4000	800 /1300	250-1600	1240	1625	455/720	④	490	280x500	200	80	4A
TRA-450-N	4500	650 /1300	250-1300	1240	1595	440/720	④	490	280x500	200	80	4A

Three hydraulic functions. Special roll ranges on request. Consult Bolzoni Auramo for hydraulic pressure and flow rate recommendations. Standard contact pads: cast pad with high-friction surface. Contact pad options: steel-sprayed surface, polyurethane-faced, rubber-faced or flexible. Full-length contact pads available on short arm side. Please see page 1-40.

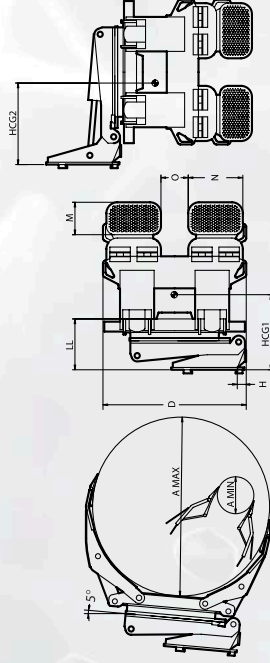
- ① Load centre is rated in the vertical and horizontal tilted positions.
- ② Minimum roll range in the horizontal tilted position is greater. Consult Bolzoni Auramo.
- ③ Horizontal centre of gravity is indicated in the vertical position and in the horizontal tilted position.
- ④ Consult Bolzoni Auramo regarding factory specifications.



Tilting and Rotating Paper Roll Clamps

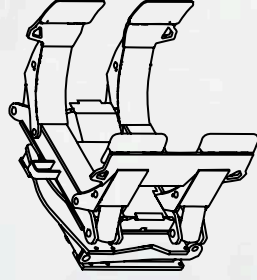
Models TRA-NJ

- Tilting and rotating paper roll clamp for vertical and horizontal roll handling.
- Pivoting arm movement. Short and long arms. Split long arm. Several different contact pad options in standard series.
- 90-degree tilt with built-in check-valve.
- 180-degree rotation with hydraulic cushioning in the vertical positions.
- Thin-arm-profile design ensures tight stacking and effective damage-free handling with excellent visibility.



Model	Capacity kg	Q	BP1/BP2 mm ^①	A	D	W	HCG1/HCG2 mm ^②	VCG	Vertical Centre of Gravity	Effective Thickness	Contact Pads	Contact Pad Gap	Mounting Height	Mounting Class	ISO
				mm ^②	mm	kg	mm ^③	mm	mm	mm	M x N mm	mm	mm		2328
TRA-220-NJ	2200	650/1200	250-1300	1040	1060	390/635	④	430	240x400	430	240x400	200	80	2A/3A	
TRA-230-NJ	2300	900/1200	250-1800	1040	1100	435/685	④	430	240x400	430	240x400	200	80	2A/3A	
TRA-250-NJ	2500	800/1200	250-1600	1040	1080	415/635	④	430	240x400	430	240x400	200	80	2A/3A	
TRA-300-NJ	3000	650/1200	250-1300	1040	1060	390/635	④	430	240x400	430	240x400	200	80	2A/3A	
TRA-280-NJ	2800	915/1300	250-1830	1240	1540	445/730	④	460	280x500	460	280x500	200	80	3A/4A	
TRA-320-NJ	3200	800/1300	250-1600	1240	1520	430/725	④	460	280x500	460	280x500	200	80	3A/4A	
TRA-350-NJ	3500	650/1300	250-1300	1240	1500	415/725	④	460	280x500	460	280x500	200	80	3A/4A	
TRA-350-NLJ	3500	800/1300	250-1600	1240	1625	455/720	④	490	280x500	490	280x500	200	80	4A	
TRA-380-NJ	3800	915/1300	300-1830	1240	1655	470/725	④	490	280x500	490	280x500	200	80	4A	
TRA-400-NJ	4000	800/1300	250-1600	1240	1625	455/720	④	490	280x500	490	280x500	200	80	4A	
TRA-450-NJ	4500	650/1300	250-1300	1240	1595	440/720	④	490	280x500	490	280x500	200	80	4A	

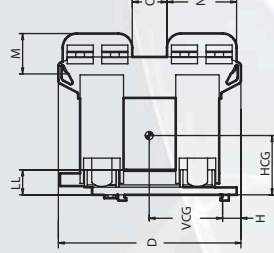
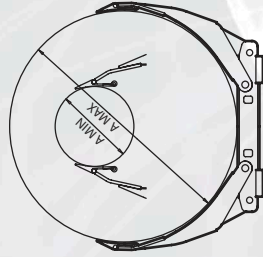
Three hydraulic functions. Special roll ranges on request. Consult Bolzoni Auramo for hydraulic pressure and flow rate recommendations. Standard contact pads: cast pad with high-friction surface. Contact pad options: steel-sprayed surface, polyurethane-faced, rubber-faced or flexible. Full-length contact pads available on short arm side. Please see page 1-40.



- ① Load centre is rated in the vertical and horizontal tilted positions.
- ② Minimum roll range in the horizontal tilted position is greater. Consult Bolzoni Auramo.
- ③ Horizontal centre of gravity is indicated in the vertical position and in the horizontal tilted position.
- ④ Consult Bolzoni Auramo regarding factory specifications.

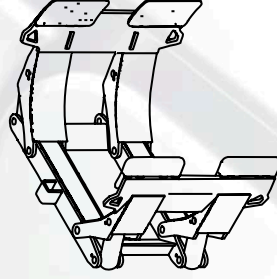
Paper Roll Clamps

Models A-N

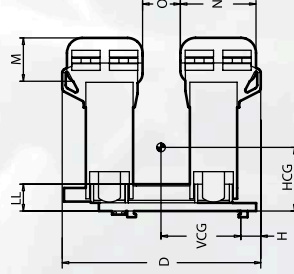
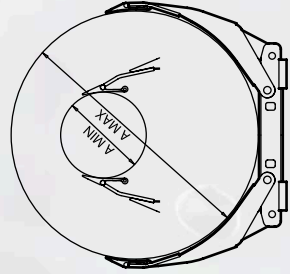


- Designed for vertical handling of single paper rolls.
- Pivoting arm movement. Equal length arms or short and long arms for required use. Several arm and contact pad options in standard series.
- Non-rotating.

Model	Capacity Q kg	Load Centre BP mm	Roll Range A mm	Height D mm	Weight W kg	Horizontal Centre of Gravity HCG mm	Vertical Centre of Gravity VCG mm	Effective Thickness LL mm	Contact Pads M x N mm	Contact Pad Gap O mm	Mounting Height H mm	Mounting Class ISO 2328
A-200-N	2000	650	250-1300	840	460	260	400	120	210x300	200	74	2A/3A
A-230-N	2300	900	600-1800	1040	660	355	480	120	240x400	200	90	2A/3A
A-250-N	2500	800	600-1600	1040	635	335	480	120	240x400	200	90	2A/3A
A-270-N	2700	750	550-1500	1040	625	325	480	120	240x400	200	90	2A/3A
A-280-N	2800	700	500-1400	1040	620	315	480	120	240x400	200	90	2A/3A
A-300-N	3000	650	450-1300	1040	615	305	480	120	240x400	200	90	2A/3A
A-280-NL	2800	900	600-1800	1240	750	350	530	140	280x500	200	100	3A/4A
A-320-N	3200	800	550-1600	1240	735	340	530	140	280x500	200	100	3A/4A
A-330-N	3300	750	520-1500	1240	725	320	530	140	280x500	200	100	3A/4A
A-340-N	3400	700	480-1400	1240	715	280	530	140	280x500	200	100	3A/4A
A-350-N	3500	650	450-1300	1240	690	250	530	140	280x500	200	100	3A/4A
A-380-N	3800	900	600-1800	1240	975	400	530	155	280x500	200	140	3A/4A
A-400-N	4000	800	550-1600	1240	940	345	530	155	280x500	200	140	3A/4A
A-420-N	4200	750	520-1500	1240	920	340	530	155	280x500	200	140	3A/4A
A-450-N	4500	650	450-1300	1240	880	310	530	155	280x500	200	140	3A/4A
A-400-NL	4000	1000	600-2000	1340	1170	410	580	180	280x500	300	145	4A
A-450-NL	4500	900	600-1800	1340	1080	350	580	180	280x500	300	145	4A
A-500-N	5000	800	550-1600	1340	1020	330	580	180	280x500	300	145	4A
A-560-N	5600	650	450-1300	1340	960	310	580	180	280x500	300	145	4A

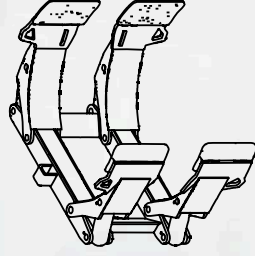


One hydraulic function. Special roll ranges on request. Consult Bolzoni Auramo for hydraulic pressure and flow rate recommendations. Standard contact pads: cast pad with a high-friction surface. Contact pad options: steel-sprayed surface, polyurethane-faced, rubber-faced or flexible. Please see page 1-40.



- Designed for vertical handling of 1 or 2 rolls of equal or unequal diameters.
- Pivoting arm movement. Equal length arms or short and long arms for required use. Several arm and contact pad options in standard series.
- Non-rotating.

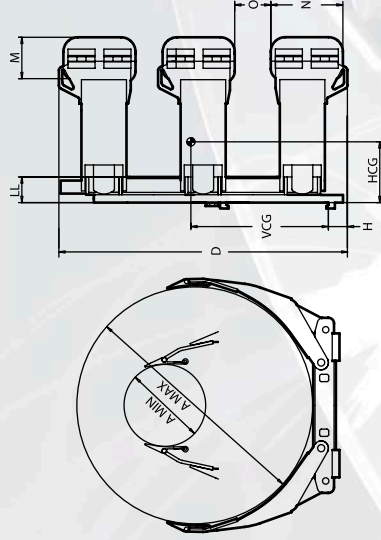
Model	Capacity Q kg	Load Centre BP mm	Roll Range A mm	Height D mm	Weight W kg	Horizontal Centre of Gravity HCG mm	Vertical Centre of Gravity VCG mm	Effective Thickness LL mm	Contact Pads M x N mm	Contact Pad Gap O mm	Mounting Height H mm	Mounting Class ISO 2328
A-200-NJJ	2000	650	250-1300	840	450	255	400	120	210x300	200	74	2A/3A
A-230-NJJ	2300	900	600-1800	1040	650	350	480	120	240x400	200	90	2A/3A
A-250-NJJ	2500	800	600-1600	1040	625	330	480	120	240x400	200	90	2A/3A
A-270-NJJ	2700	750	550-1500	1040	615	320	480	120	240x400	200	90	2A/3A
A-280-NJJ	2800	700	500-1400	1040	610	310	480	120	240x400	200	90	2A/3A
A-300-NJJ	3000	650	450-1300	1040	605	300	480	120	240x400	200	90	2A/3A
A-280-NLJJ	2800	900	600-1800	1240	720	345	530	140	280x500	200	100	3A/4A
A-320-NJJ	3200	800	550-1600	1240	710	335	530	140	280x500	200	100	3A/4A
A-330-NJJ	3300	750	520-1500	1240	705	315	530	140	280x500	200	100	3A/4A
A-340-NJJ	3400	700	480-1400	1240	690	275	530	140	280x500	200	100	3A/4A
A-350-NJJ	3500	650	450-1300	1240	675	305	530	140	280x500	200	100	3A/4A
A-380-NJJ	3800	900	600-1800	1240	965	395	530	155	280x500	200	140	3A/4A
A-400-NJJ	4000	800	550-1600	1240	930	340	530	155	280x500	200	140	3A/4A
A-420-NJJ	4200	750	520-1500	1240	910	335	530	155	280x500	200	140	3A/4A
A-450-NJJ	4500	650	450-1300	1240	870	305	530	155	280x500	200	140	3A/4A
A-400-NLJJ	4000	1000	600-2000	1340	1150	400	580	180	280x500	300	145	4A
A-450-NLJJ	4500	900	600-1800	1340	1080	345	580	180	280x500	300	145	4A
A-500-NJJ	5000	800	550-1600	1340	1000	325	580	180	280x500	300	145	4A
A-560-NJJ	5600	650	450-1300	1340	940	305	580	180	280x500	300	145	4A



One hydraulic function. Special roll ranges on request. Consult Bolzoni Auramo for hydraulic pressure and flow rate recommendations.
Standard contact pads: cast pad with a high-friction surface. Contact pad options: steel-sprayed surface, polyurethane-faced, rubber-faced or flexible. Please see page 1-40.

Paper Roll Clamps

Models A-NJJ-3

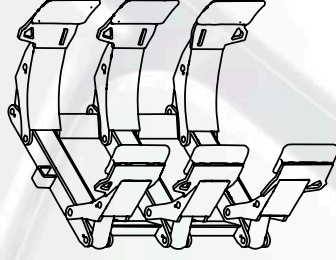


- Equal length split arms enable the handling of one super-jumbo roll or 1-3 rolls of different diameters in the vertical position.
- Pivoting arm movement.
- Several arm and contact pad options in standard series.
- Non-rotating.

Model	Capacity Q kg	Load Center BP mm	Roll Range A mm	Height D mm	Weight W kg	Center of Gravity Horizontal HCG mm	Center of Gravity Vertical VCG mm	Effective Thickness LL mm	Contact Pads M x N mm	Contact Pad Gap O mm	Mounting Height H mm	Mounting Class ISO
A-350-NJJ-3	3500	800	500-1600	2040	1000	330	930	140	240x400	400	90	3A/4A
A-450-NJJ-3	4500	650	400-1300	2040	950	290	930	140	240x400	400	90	3A/4A
A-550-NJJ-3	5500	900	600-1800	2340	1450	395	1030	155	280x500	400	140	4A
A-580-NJJ-3	5800	800	500-1600	2340	1400	340	1030	155	280x500	400	140	4A
A-600-NJJ-3	6000	650	400-1300	2340	1350	305	1030	155	280x500	400	140	4A

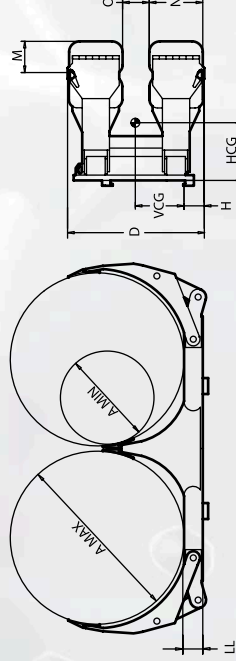
One hydraulic function. Special roll ranges on request. Consult Bolzoni Auramo for hydraulic pressure and flow rate recommendations. Standard contact pads: cast pad with a high-friction surface. Contact pad options: steel-sprayed surface, polyurethane-faced, rubber-faced or flexible. Please see page 1-40.

Note: Also available with hydraulically adjustable upper frame. Easy clamp height adjustment to varying paper roll and roll stack height. See page 1-34 Consult Bolzoni Auramo for further information.



Paper Roll Clamps

Models LA-4



- Multiple Paper Roll clamp for vertical handling of 2-4 rolls at a time.
- Pivoting arm movement, equal length split long arms, fixed center arm. Several arm and contact pad options in standard series.
- Thin-arm profile ensures tight stacking with excellent visibility, and damage-free handling.
- Strong light body, with favorable effective thickness, maximizes the residual capacity of the truck.

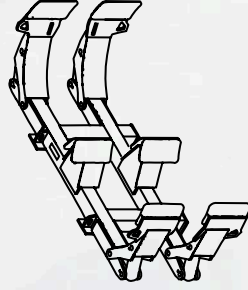
Model	Capacity		Roll Range	Height	Weight	Center of Gravity		Effective Thickness	Contact Pads		Contact Pad Gap	Mounting Height		Mounting Class
	Q	BP				A	D		W	HCG		VCG	LL	
	kg	mm	mm	mm	kg	mm	mm	mm	mm	mm	mm	mm	mm	2328
LA-500N-4	5000	650	2x[800-1300]	1040	865	330	410	160	240x400	200	①	4A		
LA-600N-4	6000	650	2x[800-1300]	1040	1075	330	410	180	240x400	200	①	4A		
LA-800N-4	8000	800	2x[900-1600]	1240	1290	350	545	180	280x500	200	①	②		
LA-840N-4	8400	750	2x[900-1500]	1240	1280	345	545	180	280x500	200	①	②		
LA-860N-4	8600	700	2x[900-1400]	1240	1270	340	545	180	280x500	200	①	②		
LA-900N-4	9000	650	2x[900-1300]	1240	1250	330	545	180	280x500	200	①	②		
LA-1000-4	10000	900	2x[1000-1800]	1240	1540	350	545	180	280x500	200	①	②		
LA-1000S-4	10000	675	2x[650-1350]	1240	1320	340	545	180	280x500	200	①	②		

One hydraulic function. Consult Bolzoni Auramo for hydraulic pressure and flow rate recommendations.
 Special roll ranges on request. Separate sideshift and independent arm movement are available on request.

Standard contact pads: cast pad with high-friction surface. Contact pad options: steel-sprayed surface, polyurethane-faced, rubber-faced or flexible. Please see page 1-40.

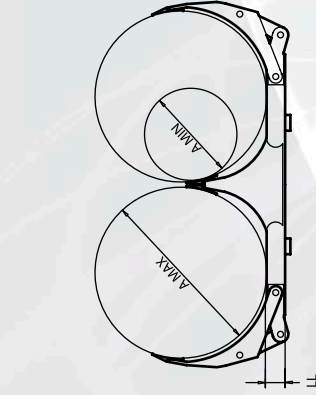
- ① Consult Bolzoni Auramo.
- ② Special mounting required. Please see page 1-38.

Note: Also available with hydraulically adjustable frame width. Easy clamp width adjustment to varying paper roll diameter ranges. See page 1-34. Consult Bolzoni Auramo for further information.



Paper Roll Clamps

Models LA-6



- Multiple Paper Roll clamp for vertical handling of 2-8 rolls at a time.
- Pivoting arm movement. Six equal length split long arms, fixed center arm. Several arm and contact pad options in standard series.
- Thin-arm-profile ensures tight stacking with excellent visibility and damage-free handling.
- Strong light body with favorable effective thickness maximizes the residual capacity of the truck.

Model	Capacity	Load Center	Roll Range	Height	Weight	Center of Gravity Horizontal	Center of Gravity Vertical	Effective Thickness	Contact Pads	Contact Pad Gap	Mounting Height	Mounting Class
	Q	BP	A	D	W	HCG	VCG	LL	M x N	O	H	ISO
	kg	mm	mm	mm	kg	mm	mm	mm	mm	mm	mm	2328
LA-750-6	7500	650	2x[800-1300]	①	1460	320	①	160	240x400	①	①	②
LA-900-LS6	9000	900	2x[1000-1800]	①	2210	360	①	200	280x500	①	①	②
LA-900-L6	9000	800	2x[900-1600]	①	2190	330	①	200	280x500	①	①	②
LA-900-6	9000	650	2x[800-1300]	①	2100	320	①	200	280x500	①	①	②
LA-1200NL-6	12000	750	2x[900-1500]	①	2180	400	①	200	280x500	①	①	②
LA-1200N-6	12000	650	2x[800-1300]	①	2120	340	①	200	280x500	①	①	②

One hydraulic function. Consult Bolzoni Auramo for hydraulic pressure and flow rate recommendations.

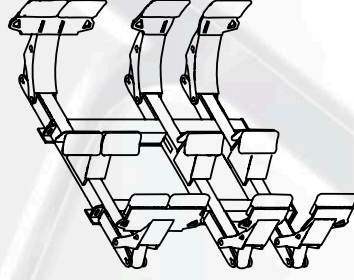
Special roll ranges on request. Separate sideshift and independent arm movement are available on request.

Standard contact pads: cast pad with high-friction surface. Contact pad options: steel-sprayed surface, polyurethane-faced, rubber-faced or flexible. Please see page 1-40.

- ① Consult Bolzoni Auramo.
- ② Special mounting required. Please see page 1-38.

Note: Also available with hydraulically adjustable upper frame. Easy clamp height adjustment to varying paper roll and roll stack height. Consult Bolzoni Auramo for further information.

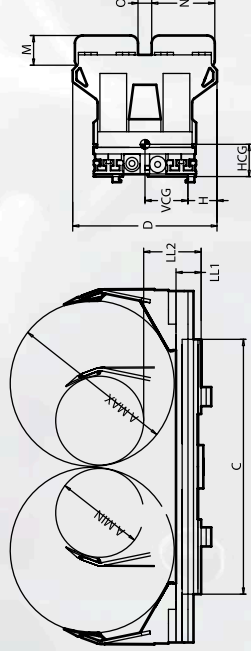
Also available with hydraulically adjustable frame width. Easy clamp width adjustment to varying paper roll diameter ranges. See page 1-34. Consult Bolzoni Auramo for further information.



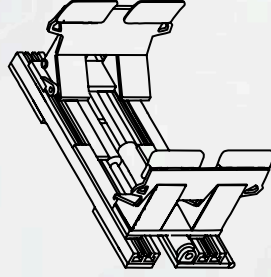
Paper Roll Clamps – non-rotating

Models B-RH

- Paper Roll clamp designed for handling 1 or 2 rolls, side by side.
- Equal long arms. Parallel arm movement. Built-in bumper in arms compensates for different roll diameters.
- Non-rotating.
- Aluminum-profile frame.
- Built-in sideshift improves handling.



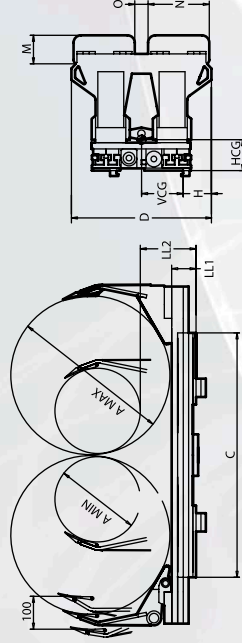
Model	Capacity	Load Center	Roll Range	Frame Width	Height	Weight	Center of Gravity Horizontal	Center of Gravity Vertical	Effective Thickness	Contact Pads	Contact Pad Gap	Mounting Height	Mounting Class
	Q kg	BP mm	A mm	C mm	D mm	W kg	HCG mm	VCG mm	LL mm	M x N mm	O mm	H mm	ISO
B-300-R	3000	550	2x [800-1100]	1400	1040	840	300	296	157/245	240x400	200	215	3A
B-300-LR	3000	650	2x [800-1300]	1600	1040	940	320	296	157/245	240x400	200	215	3A



Two hydraulic functions. See page 1-37 for hydraulic pressure and flow rate recommendations. Special roll ranges on request.
 External sideshift and independent arm movement are available on request.
 Standard contact pads: cast pad with high-friction surface. Contact pad options: steel-sprayed surface, polyurethane-faced, rubber-faced or flexible. Full-length contact pads available on request. Please see page 1-40.

Paper Roll Clamps – non-rotating

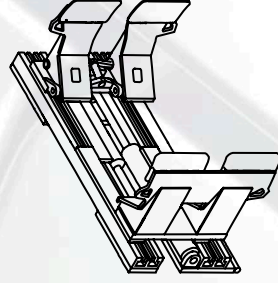
Models B-RJ



- Designed for handling 1-4 rolls at a time.
- Equal long arms. Parallel arm movement.
- Split left arm compensates for roll diameter differences.
- Non-rotating.
- Aluminum-profile frame.
- Built-in sideshift improves handling.

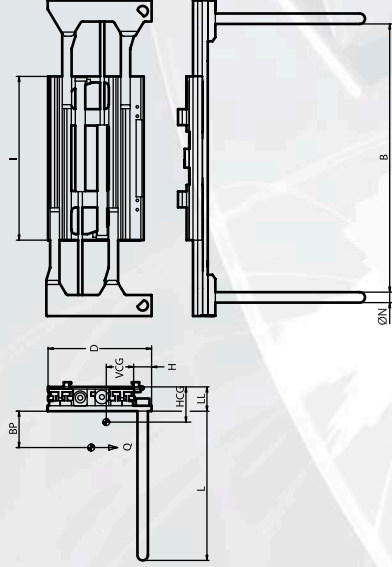
Model	Capacity kg	Load Center mm	Roll Range mm	Frame Width mm	Height mm	Weight kg	Center of Gravity Horizontal mm	Center of Gravity Vertical mm	Effective Thickness mm	Contact Pads M x N x O mm mm mm	Contact Pad Gap mm	Mounting Height mm	Mounting Class
B-300-RJ	3000	550	2x [800-1100]	1400	1040	860	305	296	157/245	240x400	200	215	3A
B-300-LRJ	3000	650	2x [800-1300]	1600	1040	960	325	296	157/245	240x400	200	215	3A

Two hydraulic functions. See page 1-37 for hydraulic pressure and flow rate recommendations. Special roll ranges on request.
 External sideshift and independent arm movement are available on request.
 Standard contact pads: cast pad with high-friction surface. Contact pad options: steel-sprayed surface, polyurethane-faced, rubber-faced or flexible. Full-length contact pads available on request. Please see page 1-40.



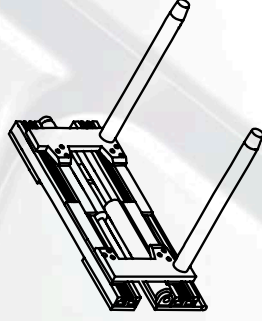
Tine Clamps

Models B-TA / BA-TA



- Non-rotating clamp designed for Paper Roll handling in the bilge position.
- Bolted arms (tines)
- Built-in sideshift improves handling.

Model	Code	Capacity kg	Q mm	BP mm	Load Center	Opening Range	Tines	Frame Width I mm	W kg	Weight	Center of Gravity Horizontal	Center of Gravity Vertical	Effective Thickness LL mm	Mounting Height H mm	Mounting Class
				A mm	LxN mm						HCG mm	VCG mm			
B-320TA	22MH1	2000	1100	1100	300-1650	2200x98	1100	830	480	①	227	205	3A		
B-400TA	22RH1	2900	1100	1100	300-1900	2200x110	1400	1220	470	①	247	240	3A/4A		
BA-50TA	22RJ1	4500	1100	1100	450-2200	2200x140	1400	1550	560	①	260	240	4A		

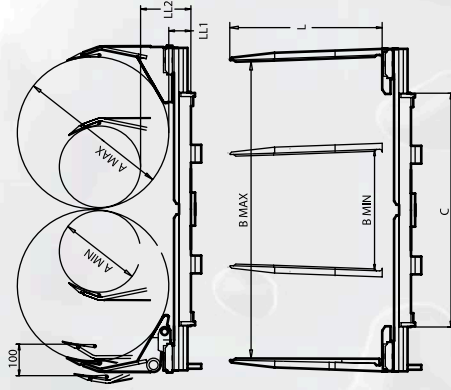


Two hydraulic functions. Special opening ranges on request. Independent arm movement on request.

B-Series: Aluminum-profile frame. BA-Series: Steel-profile frame, strong T-profile arm carriers.

Opening range is measured between tines.

① Consult Bolzoni Auramo regarding specifications.



- Multi-function clamp designed for handling 1 - 4 paper rolls or 1 - 3 pulp-bale units.
- Equal long roll arms. Parallel arm movement. Self adjusting split left arm on BA series.
- Pulp-bale arms 1200 or 1400 mm long. Left arm is pivoted on BA series. Thin arm design.
- Easy and fast arm change.
- Built-in sideshift improves handling.
- Non-rotating.

Model	Capacity	Load Center	Roll Range	Frame Width	Weight	Center of Gravity	Center of Gravity	Effective Thickness	Contact Pads	Contact Pad Gap	Mounting Height	Mounting Class
	kg	mm	A mm	C mm	HCG mm	VCG mm	HCG mm	LL mm	M x N mm	O mm	H mm	ISO
B-400MJ												
Roll Arms	3000	550	2x(800-1110)	1400	1050	325	325	① 235/320	240x400	200	74	3A
Bale Arms	② 4000	600	820-2620		1090	405		265				
B-400MJ												
Roll Arms	3000	660	2x(800-1270)	1600	1110	325	325	① 235/320	240x400	200	74	3A
Bale Arms	② 4000	600	820-2620		1120	405		265				
BA-50MJ												
Roll Arms	5000	750	2x [850-1300]	1600	1770	280	280	① 240/350	280x500	200	64	4A
Bale Arms	③ 5000	750	740-2620		1775	325		285				

Two hydraulic functions. Special roll ranges on request. Independent arm movement on request.

Standard contact pads: cast pad with high-friction surface. Contact pad options: steel-sprayed surface, polyurethane-faced, rubber-faced or flexible. Full-length contact pads available on request. Please see page 1-40.

Other bale arm sizes available on request. Forks available on request. B-Series: Aluminum-profile frame. BA-Series: Steel-profile frame, strong T-profile arm carriers.

① Consult Bolzoni Auramo regarding specifications.

② Arm length : 1200 mm

③ Arm length : 1400 mm

Paper Roll Clamps

Intelligent Paper Roll Clamps – Series CTX G3



Invented by Bolzoni Auramo - and now completely redesigned: the new generation of Bolzoni Auramo's CTX series intelligent clamps combines more than 10 year intelligent clamp experience with the latest paper handling technology.

The CTX-G3 intelligent clamps use the latest microprocessor technology to control the clamp operation.



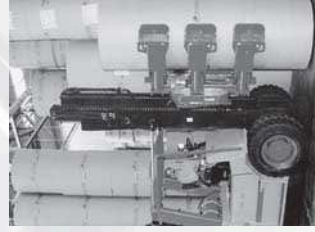
The CTX G3 series paper roll clamps enable safe, non-damaging and effective paper roll handling – also with sensitive paper grades.



- Automatic clamping force control.
- Minimized clamping force, regardless of paper roll size, weight, wrapper properties or handling conditions.
- Eliminates the risk of out-of-round paper rolls.
- Collects handling data in a history file.
- Has user-friendly visual display unit.
- Modular design fits to different lift truck and application requirements.
- Easier and faster to install.
- Can be directly connected to CAN-bus compatible lift trucks.
- Can be directly connected to paper roll identification systems.

The CTX control technology is available for most of the Bolzoni Auramo pivot-arm paper roll clamp models. Multiple-arm intelligent clamp applications are possible as well (for example: A and LA series clamps).

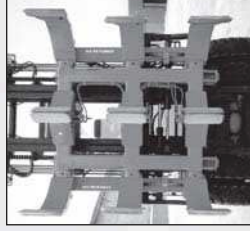
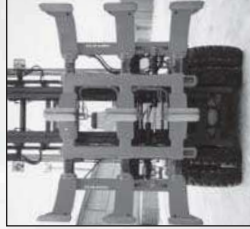
Consult Bolzoni Auramo regarding AGV applications.



Bolzoni Auramo is the paper handling specialist. Enclosed photos show just some examples of custom-made equipment previously delivered for more effective paper handling. Contact your nearest Bolzoni Auramo representative for further information about our specialized paper handling products.

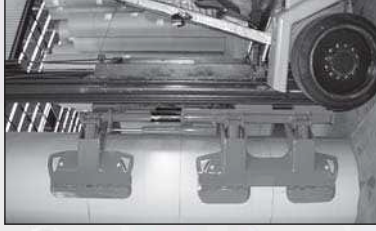
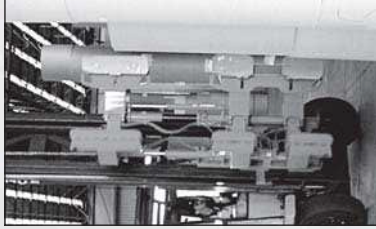
Series LA-E paper roll clamp with hydraulically adjustable frame width

- Optimized frame width and arm position with varying paper roll diameters.



Series A-N-3V paper roll clamp with hydraulically adjustable upper frame height

- Safe and effective handling of 1 – 3 paper rolls with varying paper roll and roll stack heights.



Series CTXA-4 intelligent, non-rotating paper roll clamp

- For effective vertical handling of jumbo rolls or 1 – 4 smaller paper rolls. Computer controlled clamping force ensures non-damaging paper roll handling.

