

Wheelspecs

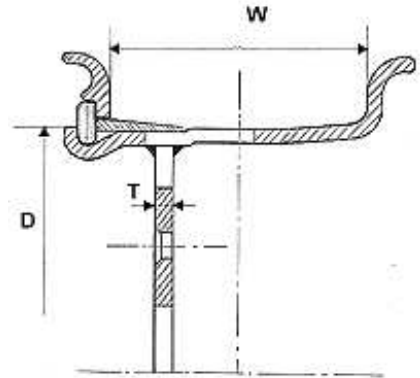
Eurowheel

1) Machine: Brand:..... Type:.....

2) Tyre size: Solid tyre : Pneumatic:.....

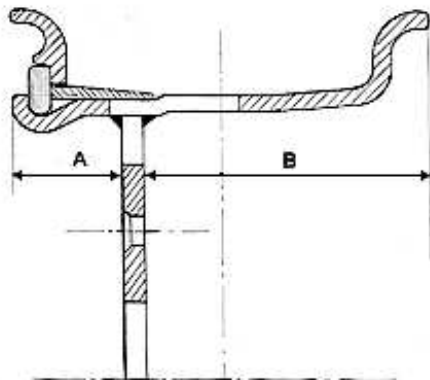
3) Wheelstamp: Manufacturer:..... Ref.nr. :

4) **Width of the wheel (W)** Inch
Wheeldiameter (D) Inch
Discthickness (T) mm



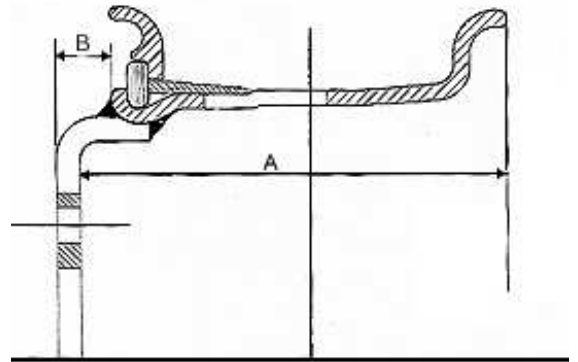
5) Position of the wheeldisc:

Single mounting:



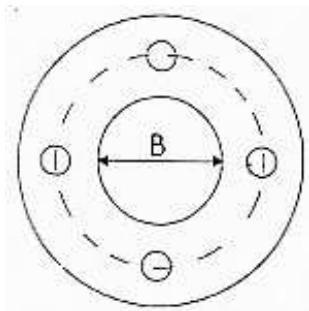
A = mm
R = mm

Dual mounting



A = mm
R = mm

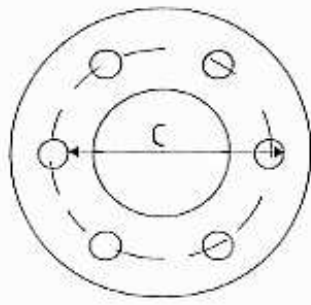
6) Centre hole (B) : mm



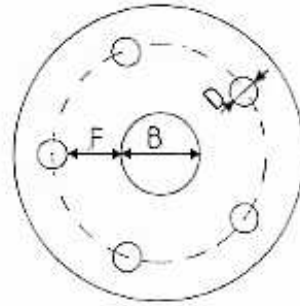
7) P.C.D. (Pitch circle diameter) (C)

Even number of studholes:

Odd number of studholes:



C =mm



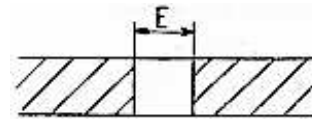
C = B + (2 x F) + D

= + (2 x) +
 =mm

8) Studhole :

* Number of studholes : pieces

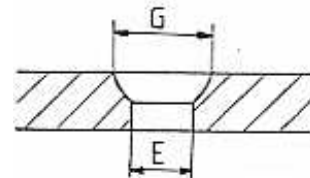
* Cilindrical studholes : Diameter (**E**) : mm



* Boutgaten met souverain :

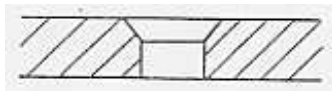
Diameter van het boutgat (**E**) : mm

Diameter van de souverain (**G**) : mm

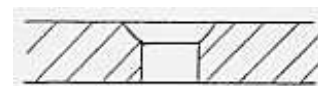


* Type van souverain :

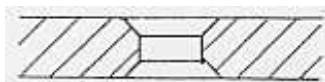
Konisch 1 kant



Sferisch 1 kant



Konisch 2 kanten



Sferisch 2 kanten

